

## 6. Booster modules

### BM, BMB 4"

#### BM (model D), BMB (model A) 50/60 Hz

##### Cable entry

Description	BM 4" with MS4000	BMB 4" with MS4000
Kit No	96871602	96871605
Cable entry	1	1

##### Wear parts

Pos.	Pump type	BM, BMB 3A N / BM, BMB 5A N					
	Pump stages	11-15	16-24	25-30	31-39	40-48	49-60
	Description/ Kit No	055504	105546	105547	105059	095059	095060
6	Upper bearing	1	1	1	1	1	1
7	Neck ring	15	24	30	39	48	60
85	Stop ring	2	3	3	3	3	3

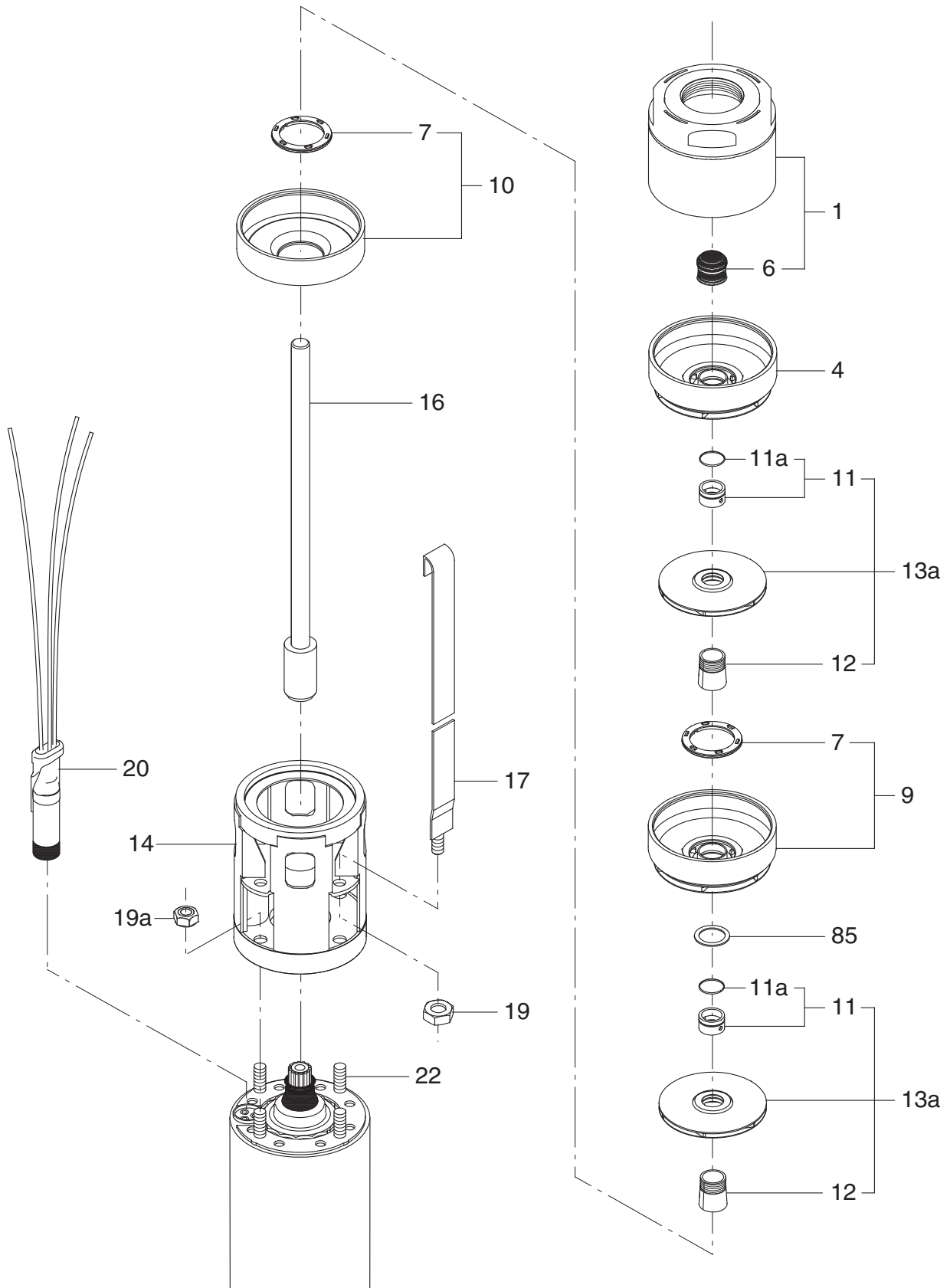
Pos.	Pump type	BM, BMB 3A NE / BM, BMB 5A NE				
	Pump stages	-12	-25	-33	-45	-60
	Description/Kit No	96440231	96440230	96440229	96440228	96440227
6	Upper bearing	1	1	1	1	1
7	Neck ring	12	25	33	45	60
85	Stop ring	2	3	3	3	3

Pos.	Pump type	BM, BMB 3A R, BM, BMB 5A R							
	Number of stages	-5	6-10	11-15	16-24	25-30	31-39	40-48	49-60
	Description/ Kit No	105969	105970	105971	105972	105973	105974	105975	105976
6	Upper bearing	1	1	1	1	1	1	1	1
7	Neck ring	5	10	15	24	30	39	48	60
85	Stop ring	1	2	2	3	3	3	3	3

Pos.	Pump type	BM, BMB 8A R			
	Number of stages	5-10	12-18	21-25	28-37
	Description/Kit No	96428935	96428936	96428937	96428938
6	Upper bearing	1	1	1	1
7	Neck ring	10	18	25	37
8	Bearing	9	17	24	36

Pos.	Pump type	BM, BMB 8A N				BM, BMB 8A NE			
	Pump stages	-10	-18	-25	-37	-10	-18	-25	-37
	Description/Kit No	96428935	96428936	96428937	96428938	96428939	96428940	96428941	96441561
6	Upper bearing	1	1	1	1	1	1	1	1
7	Neck ring	10	18	25	37	10	18	25	37
8	Bearing	9	17	24	36	9	17	24	36

BM, BMB 4"



TM03 2102 3705

**BM, BMB 6", 8"****BM (models C and D), BMB (model A) 50/60 Hz****Cable entry**

Description	BM 6" - MS 4000	BMB 6" - MS 4000	BM 6" - MS 6000	BMB 6" - MS 6000	BM 8" - MS 6000	BMB 8" - MS 6000
Kit No	96871603	96871606	96871604	96871607	96871604	96871607
Cable entry	1	1	1	1	1	1

**Wear parts**

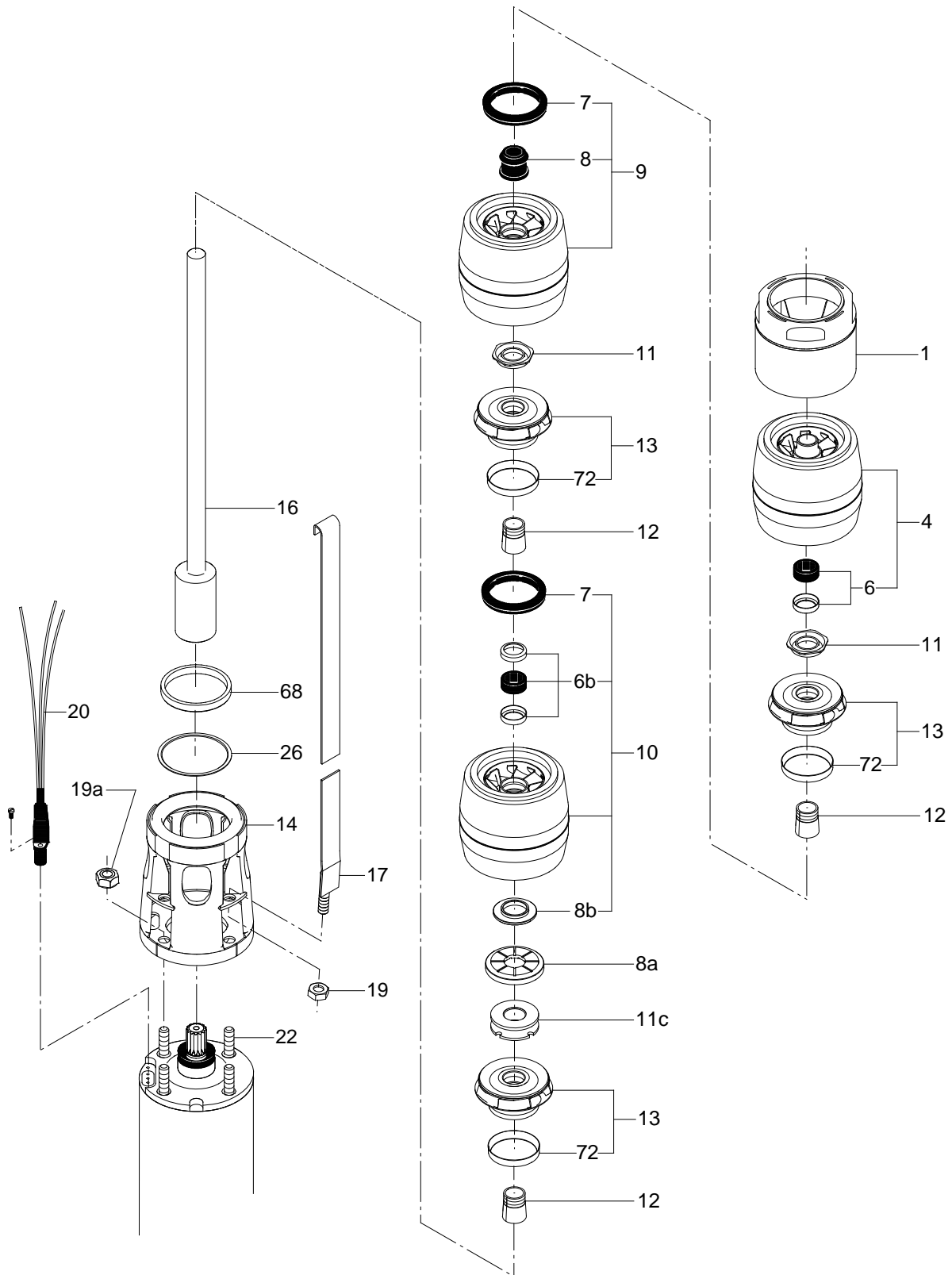
Pos.	Pump type	BM, BMB 17 (6")							
	Version	S, NS, R				NES			
	Pump stages	-5	-16	-24	-40	-5	-16	-26	-40
	Description/Kit No	96421723	96421724	96421725	96440238	96440235	96440233	96440237	96440239
7	Neck ring	5	16	26	40	5	16	26	40
8	Bearing	5	16	26	40	5	16	26	40
8a	Spacing washer	1	1	1	1	1	1	1	1
72	Wear ring	5	16	26	40	5	16	26	40

Pos.	Pump type	BM, BMB 30							
	Version	S, NS, R				NES			
	Pump stages	-5	-16	-27	-35	-5	-16	-27	-35
	Description/Kit No	96421732	96421733	96421734	96440246	96440241	96440243	96440245	96440247
6	Upper bearing	1	1	1	1	1	1	1	1
6b	Lower bearing	1	1	1	1	1	1	1	1
7	Neck ring	5	16	27	35	5	16	27	35
8	Bearing	3	14	25	33	3	14	25	33
8a	Spacing washer	1	1	1	1	1	1	1	1
8b	Stop ring	1	1	1	1	1	1	1	1
25	Neck ring retainer	1	1	1	1	1	1	1	1
72	Wear ring	5	16	27	35	5	16	27	35

Pos.	Pump type	BM, BMB 46							
	Version	S, NS, R				NES			
	Pump stages	-6	-10	-16	-24	-6	-10	-16	-24
	Description/Kit No	96440248	96440250	96440252	96440254	96440249	96440251	96440253	96440255
6	Upper bearing	1	1	1	1	1	1	1	1
6b	Lower bearing	1	1	1	1	1	1	1	1
7	Neck ring	5	9	15	23	5	9	15	23
8	Bearing	4	8	14	22	4	8	14	22
8a	Spacing washer	1	1	1	1	1	1	1	1
8b	Stop ring	1	1	1	1	1	1	1	1
11c	Nut for stop ring	1	1	1	1	1	1	1	1
68	Lower neck ring	1	1	1	1	1	1	1	1
72	Wear ring	6	10	16	24	6	10	16	24

Pos.	Pump type	BM, BMB 60							
	Version	S, NS, R				NES			
	Pump stages	-6	-10	-16	-22	-6	-10	-16	-22
	Description/Kit No	96440369	96440371	96440373	96440375	96440370	96440372	96440374	96440376
6	Upper bearing	1	1	1	1	1	1	1	1
6b	Lower bearing	1	1	1	1	1	1	1	1
7	Neck ring	5	9	15	21	5	9	15	21
8	Bearing	4	8	14	20	4	8	14	20
8a	Spacing washer	1	1	1	1	1	1	1	1
8b	Stop ring	1	1	1	1	1	1	1	1
11c	Nut for stop ring	1	1	1	1	1	1	1	1
68	Lower neck ring	1	1	1	1	1	1	1	1
72	Wear ring	6	10	16	22	6	10	16	22

BM, BMB 6"



TM01 4194 4998

Pump type		BM, BMB 77 (8")					
Pos.	Version	S, NS, R			NES		
	Pump stages	-8	9-14	15-20	-8	9-14	15-20
	Description/ Kit No	96440256	96440258	96440260	96440257	96440259	96440261
1d	O-ring	1	1	1	1	1	1
6b	Lower bearing	1	1	1	1	1	1
7	Neck ring	8	14	20	8	14	20
8	Bearing	4	5	8	4	5	8
8a	Washer for stop ring	1	1	1	1	1	1
8b	Stop ring	1	1	1	1	1	1
11c	Nut for stop ring	1	1	1	1	1	1
72	Wear ring	8	14	20	8	14	20

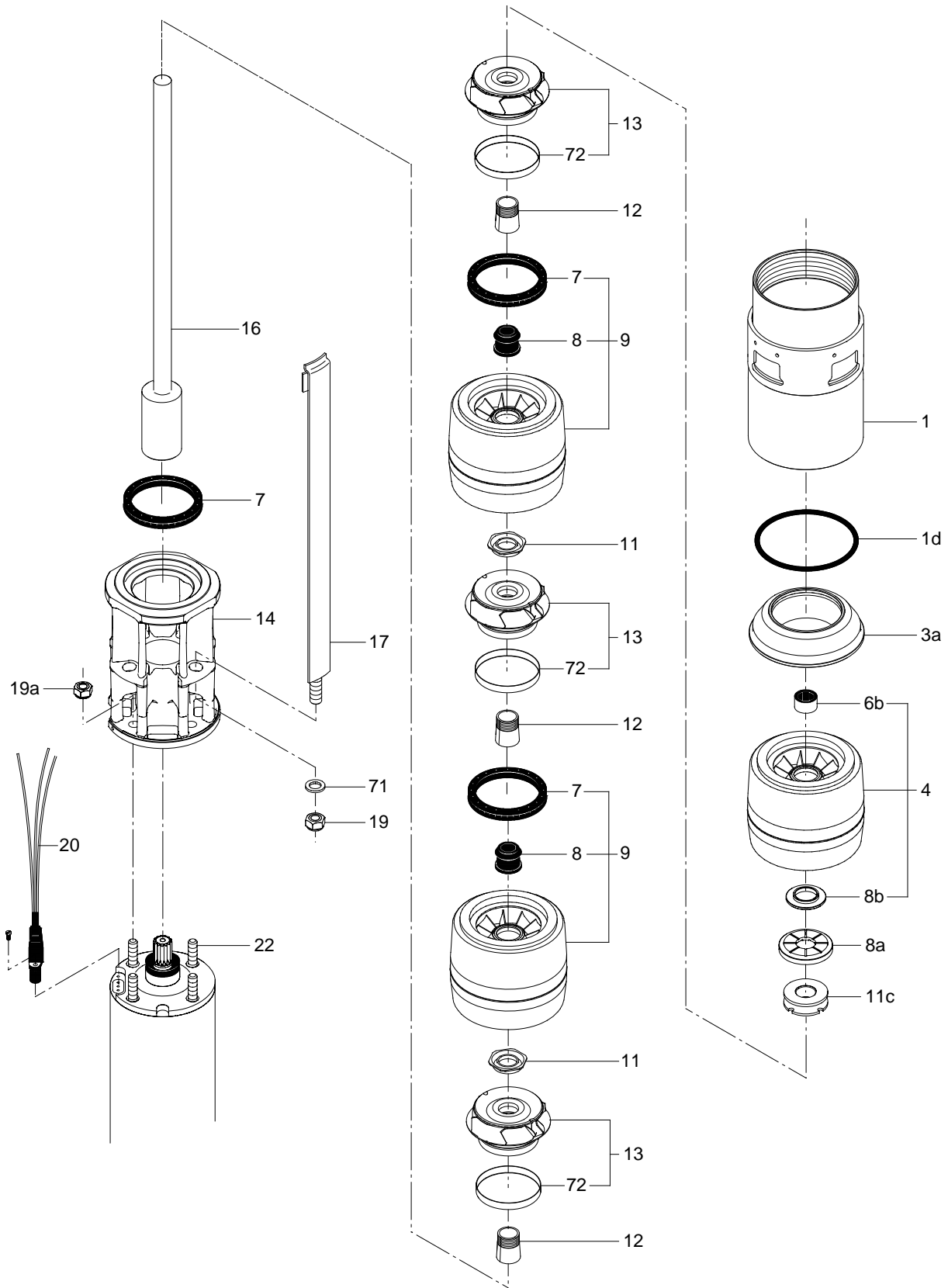
Pump type		BM, BMB 95 (8")					
Pos.	Version	S, NS, R			NES		
	Pump stages	-8	9-14	15-20	-8	9-14	15-20
	Description/ Kit No	96440715	96440716	96440717	96440718	96440719	96440720
1d	O-ring	1	1	1	1	1	1
6b	Lower bearing	1	1	1	1	1	1
7	Neck ring	8	14	20	8	14	20
8	Bearing	4	5	8	4	5	8
8a	Washer for stop ring	1	1	1	1	1	1
8b	Stop ring	1	1	1	1	1	1
11c	Nut for stop ring	1	1	1	1	1	1
72	Wear ring	8	14	20	8	14	20

Pump type		BM, BMB 125 (8")					
Pos.	Version	S, NS, R			NES		
	Pump stages	-4	5-6	7-9	-4	5-6	7-9
	Description/Kit No	96440262	96440264	96440266	96440263	96440265	96440267
1d	O-ring	1	1	1	1	1	1
5	Stop disc	1	1	1	1	1	1
6	Upper bearing	1	1	1	1	1	1
7	Neck ring	4	6	9	4	6	9
8	Bearing	3	5	8	3	5	8
72	Wear ring	4	6	9	4	6	9

Pump type		BM 160 (8")					
Pos.	Version	S, NS, R			NES		
	Pump stages	-5	6-9		-5	6-9	
	Description/ Kit No	205117	205118		97891543	97891544	
1d	O-ring	1	1	1	1	1	1
5	Stop disc	1	1	1	1	1	1
6	Upper bearing	1	1	1	1	1	1
7	Neck ring	5	9	9	5	9	9
8	Bearing	4	8	8	4	8	8
72	Wear ring	5	9	9	5	9	9

Pump type		BM 215 (8")					
Pos.	Version	S, NS, R			NES		
	Pump stages	-2	3-4	5-7	-2	3-4	5-7
	Description/ Kit No	185033	185034	185035	97891545	97891546	97891547
1d	O-ring	1	1	1	1	1	1
5	Stop disc	1	1	1	1	1	1
6	Upper bearing	1	1	1	1	1	1
7	Neck ring	2	4	7	2	4	7
8	Bearing	1	3	6	1	3	6
72	Wear ring	2	4	7	2	4	7

BM, BMB 8"



TM01 3451 5100

**BME, BMET, BMEX****50/60 Hz****Grease**

Description	Motor	Kit No
Grease Unirex 2N, 400 g cartridge	ABB	96616737
Grease Klüberquiet BQ 72-72, 400 g cartridge	VEM	96616736
Grease Unirex N3	Siemens	96741461

**Pulley head complete**

Description	Kit No
7 grooves	96693978
9 grooves	96693979

**Pulley head turbine, complete (BMET only)**

Description	Quantity	Kit No
Pulley head turbine complete	1	96863885

**Seal kit**

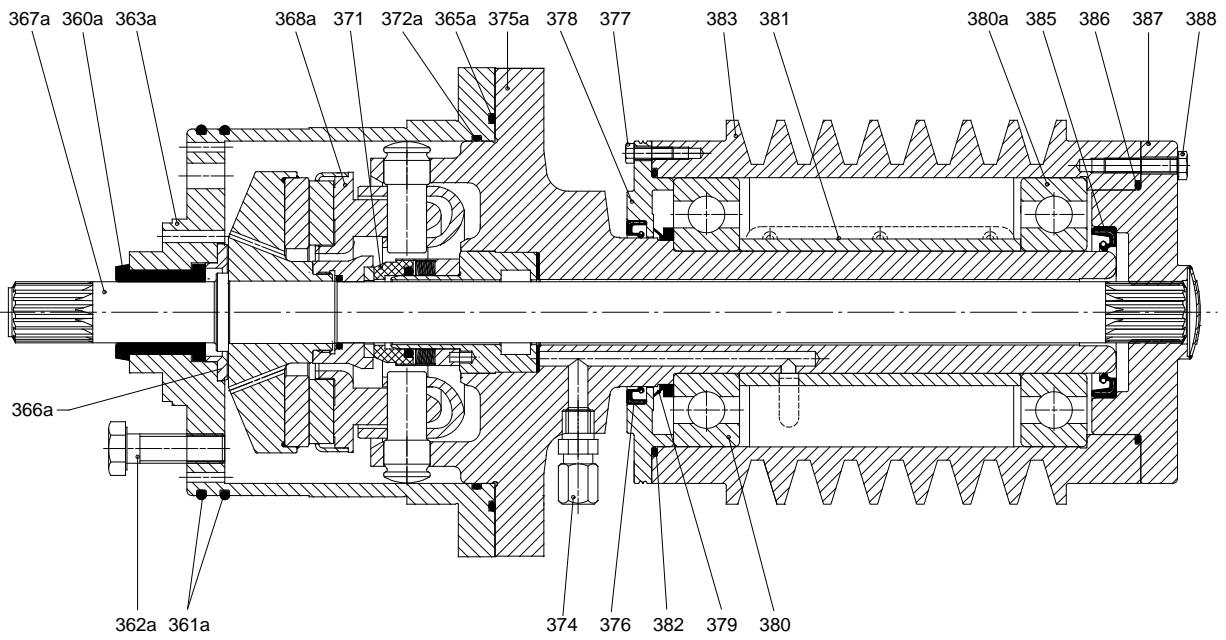
Pos.	Description/Kit No	BME	BMET
		145177	145178
360a	Bearing	1	3
361a	O-ring 144.5 x 3	2	2
365a	O-ring 154.5 x 3	1	1
366a	Axial bearing	1	1
372a	O-ring 139.5 x 3	1	2
376	Seal ring 75 x 61 x 8	1	-
379	V-ring FKM 60 A	1	-
382	O-ring 109.5 x 3	1	-
385	Seal ring 70 x 50 x 10	1	-
386	O-ring 99.5 x 3	1	-
389	Seal ring 35 x 25 x 7	-	2
396	42 x 1.6	-	2
397	O-ring 36.2 x 3	-	2
82 <sup>a</sup>	74.2 x 5.7	1	1
-	Sealing compound	-	1

a. Position number is from the pump parts list.

**Tools**

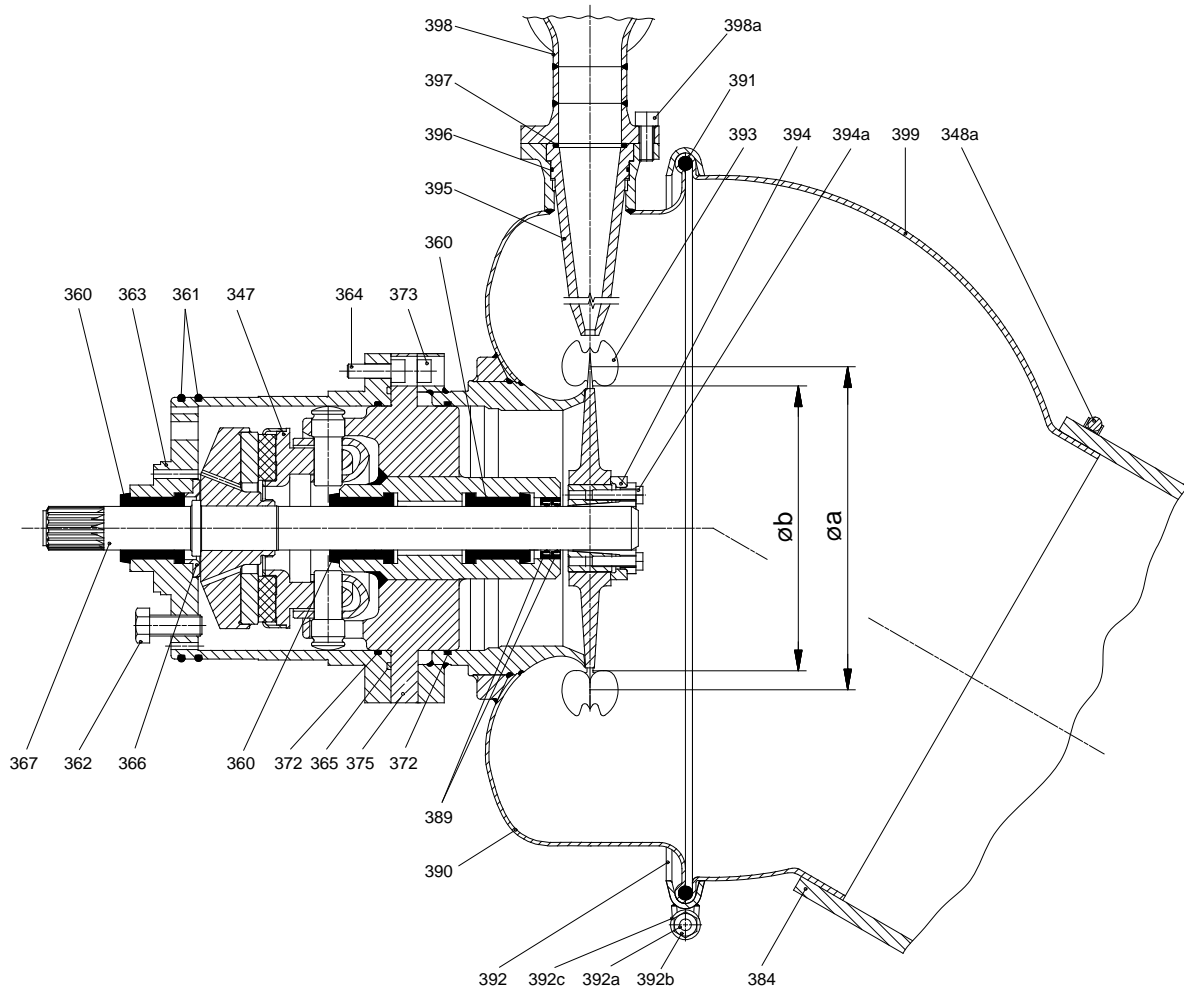
Description	Kit No
V-belt tension tester	96575457
V-belt gauge	96575458
Grease gun	96656481

**Pulley head**



TM01 2401 1698

**Pulley head, BMT**



TM01 2402 1698



## Wear parts

## BME, BMET 17

Pos.	Pump type	N, NS, R versions		
	Pump stages	-10	-20	-30
	Kit No	96604294	96604295	96604296
Description				
6	Top bearing	1	1	1
7	Neck ring	10	20	30
8	Bearing	9	19	29
8a	Spacing washer	1	1	1
72	Wear ring	10	20	30

## BME, BMET 30

Pos.	Pump type	N, NS, R versions		
	Pump stages	-10	-18	-26
	Kit No	96604297	96604298	96604299
Description				
6	Top bearing	1	1	1
6B	Lower bearing	1	1	1
7	Neck ring	10	18	26
8	Bearing	8	16	24
8a	Spacing washer	1	1	1
8b	Stop ring	1	1	1
25	Neck ring retainer	1	1	1
72	Wear ring	10	18	26

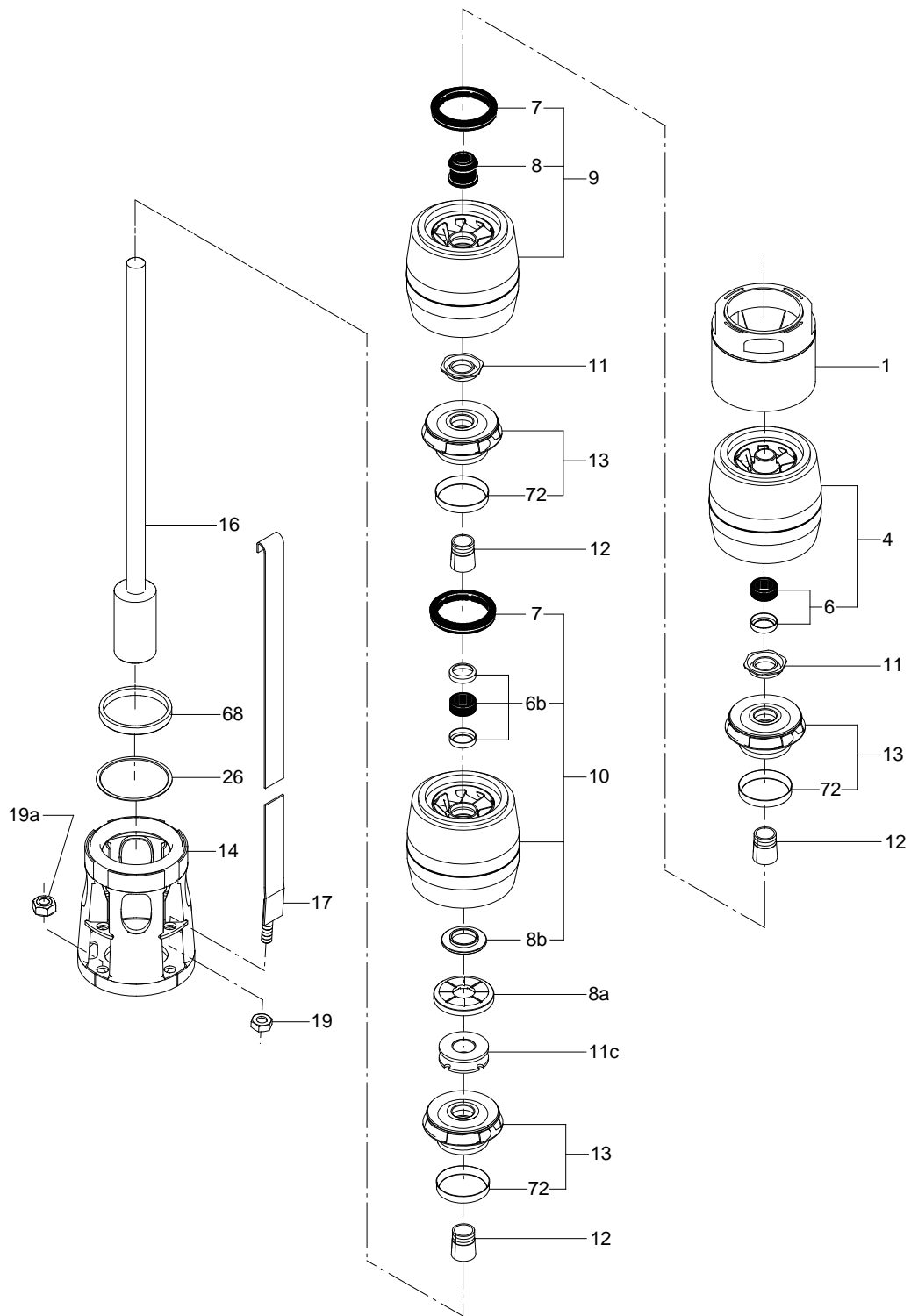
## BME, BMET 46

Pos.	Pump type	N, NS, R versions		
	Pump stages	-8	-13	-17
	Kit No	96604330	96604331	96604333
Description				
6	Top bearing	1	1	1
6B	Lower bearing	1	1	1
7	Neck ring	7	12	16
8	Bearing	6	11	15
8a	Spacing washer	1	1	1
8b	Stop ring	1	1	1
11c	Nut for stop ring	1	1	1
68	Lower neck ring	1	1	1
72	Wear ring	8	13	17

## BME, BMET 60

Pos.	Pump type	N, NS, R versions		
	Pump stages	-8	-13	-17
	Kit No	96604334	96604335	96604336
Description				
6	Top bearing	1	1	1
6B	Lower bearing	1	1	1
7	Neck ring	7	12	16
8	Bearing	6	11	15
8a	Spacing washer	1	1	1
8b	Stop ring	1	1	1
11c	Nut for stop ring	1	1	1
68	Lower neck ring	1	1	1
72	Wear ring	8	13	17

Wear parts



TM03 2943 4905