

# 41. MG, ML

## Model F/H

### MG/ML 132, 50/60 Hz

#### Bearing

Pos.	Description	Type	MG132B2-F1 MG132SB4-F1 MG132MB4-F1		ML132FA
			Pump type Kit No	CRN-SF 96830797	
153	Ball bearing		1	1	1
154	Ball bearing		1	1	1
157	O-ring		-	1	1
158	Corrugated spring		1	1	1
159	V-ring		1	1	1
159b	V-ring		1	1	1

#### End shield, drive end

Pos.	Description	Diameter ?30		
		Kit No	96796220	96796222
156b	End shield	-	-	1
	End shield, long	-	1	-
	End shield, long, with grease nipple	1	-	-
159b	V-ring	1	1	1
185	Screw	4	4	4
185b	Nut	4	4	4
186	Drain plug	3	3	3
195a	Grease nipple	1	-	-

#### End shield, non-drive end

Pos.	Description	Diameter ?30	
		Kit No	96932039
156a	End shield		1
157	O-ring		1
158	Corrugated spring		1
159	V-ring		1
159e	Shaft grounding ring		1
185a	Screw		4
185c	Nut		4

#### Eyebolt

Pos.	Description/ kit No	96796712
189	Eyebolt	2

#### Fan

Pos.	Description	Diameter	
		Kit No	?128 96796189
156	Fan		1
100	O-ring		1

#### Flange

Pos.	Description	Type	MG132	ML132
		Flange dimension	FF265	213/215TC
		Kit No	96796224	96830887
156b	Flange		1	1
159b	V-ring		1	1
185	Screw		4	4
185b	Nut		4	4
186	Drain plug		4	4

#### Foot

Pos.	Description	Type	MG132S	MG132S/M
		Kit No	96796592	96796596
191/ 191a	Foot with 2 holes		2	-
191	Right foot with 3 holes		-	1
191a	Left foot with 3 holes		-	1
192	Screw		4	4
192b	Nut		4	4
194	Lock washer		4	4

#### Grease nipple

Pos.	Description/ kit No	96796671
195a/ 195b	Grease nipple	2

#### Key

Pos.	Description/ kit No	96796817
171	Key	1

#### O-ring

Pos.	Description/ kit No	96798510
184	O-ring	200 x 4 mm 2

#### Shaft grounding ring

Pos.	Description	Dia.	?30	?40	?50
		Kit No	96932119	96932121	96932122
159e	Shaft grounding ring		1	1	1
-	Screw (M3 x 12)		2	2	2

#### Shaft seal, IP55

Pos.	Description/ kit No	96843458
159d	V-ring	2

#### Shaft seal, IP66

Pos.	Description/ kit No	96796191
159d	Gamma ring	2

#### Terminal board

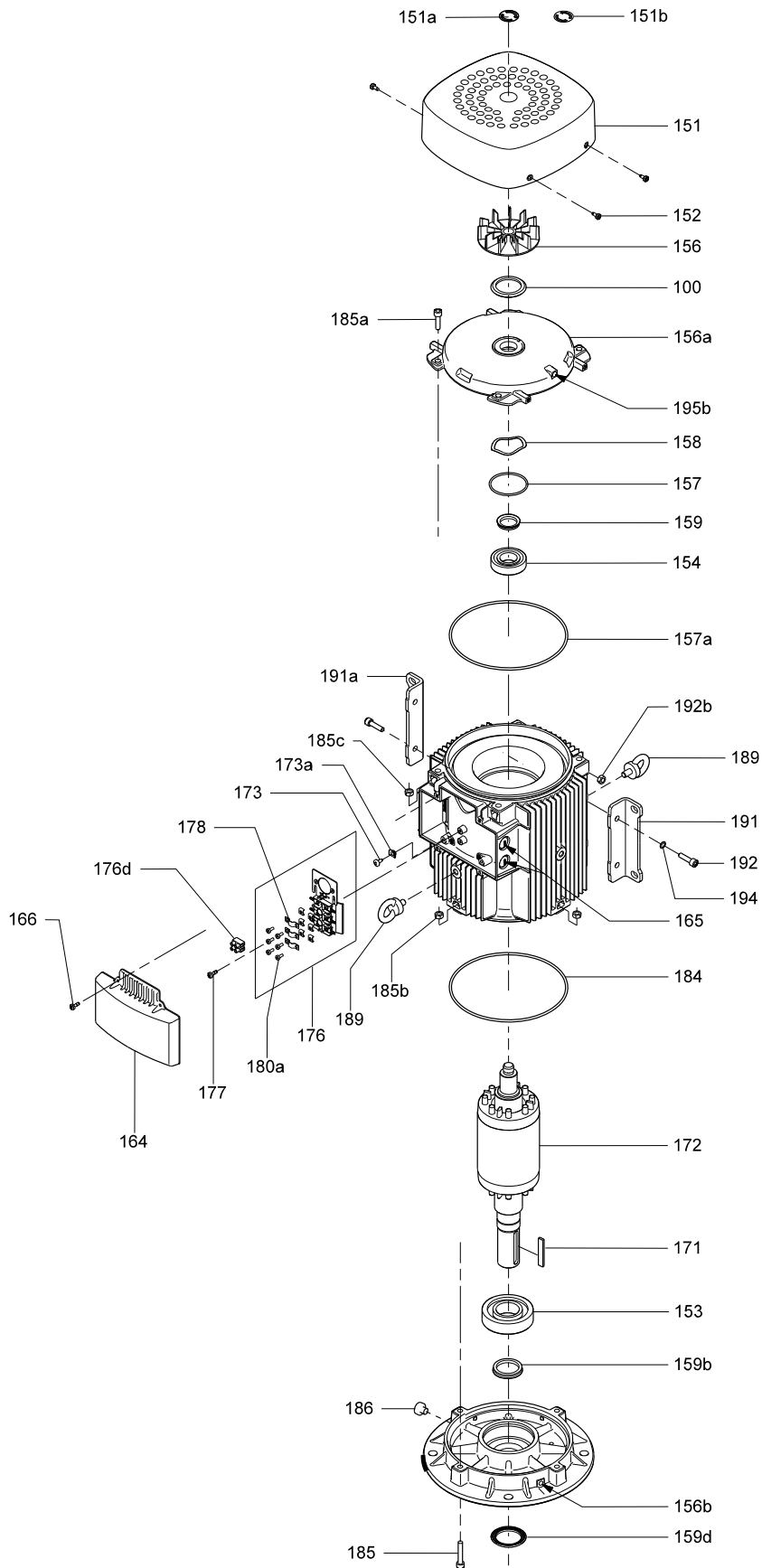
Pos.	Description/ kit No	96796657
176	Terminal board with nut and washers	1
177	Screw	1
-	Connecting bar	3
176d	Terminal	1

#### Terminal box cover

Pos.	Description/ kit No	96796215
164	Terminal box cover with gasket	1
166	Screw	4

MG 132-F/H

Model F/H MG, ML



TM03 8483 1607

**MG/ML 160****Bearing**

Pos.	Description	Type	MG160MB2-F1 MG160MD2-F1 MG160LB2-F1 MG160MB4-F1 MG160LB4-F1		
			ML160AA ML160AB ML160AC		
		Pump type	CR, CRN, CRN-S, CRN-SF, CRK, MTR	Other pumps	
		Kit No	96796676	96796674	96796676
153	Ball bearing		1	1	1
154	Ball bearing		1	1	1
157	O-ring		1	1	1
158	Corrugated spring		1	1	1

**Bearing cover**

Pos.	Description/ kit No	96796664
155a/ 155d	Bearing cover	1
182/ 182a	Screw with copper gasket	3

**End shield, non-drive end**

Pos.	Description	Diameter	
		Kit No	?45
			96932023
156a	End shield		1
157	O-ring		1
158	Corrugated spring		1
159e	Shaft grounding ring		1
185a	Screw		4
185c	Nut		4
195b	Grease nipple		1

**End shield, drive end**

Pos.	Description	Diameter	
		Kit No	?45
			96796660
156b	End shield, with grease nipple		1
185	Screw		4
185b	Nut		4
186	Drain plug		3
195a	Grease nipple		1

**Eyebolt**

Pos.	Description/ kit No	96796712
189	Eyebolt	2

**Fan, CW**

Pos.	Description	Diameter		
		Kit No	?210	?215
			96796654	96796650
156	Fan, CW		1	1
-	Retaining ring		1	1

**Fan, CCW**

Pos.	Description	Diameter		
		Kit No	?210	?215
			96796648	96796652
156	Fan, CCW		1	1
-	Retaining ring		1	1

**Flange**

Pos.	Description	Type	MG160	ML160
		Flange dimension	FF300	254/256TC
		Kit No	96796662	96830885
156b	Flange		1	1
185	Screw		4	4
185b	Nut		4	4
186	Drain plug		4	4
195a	Grease nipple		1	1

**Foot**

Pos.	Description	Type	MG160L	ML160M
		Kit No	96796665	96796666
191/ 191a	Foot with 2 holes		2	2
192	Screw		4	4
192b	Nut		4	4
194	Lock washer		4	4

**Grease nipple**

Pos.	Description/ kit No	96796671
195a/ 195b	Grease nipple	2

**Key**

Pos.	Description/ kit No	96796817
171	Key	1

**O-ring**

Pos.	Description/ kit No	96798508
184	O-ring	235 x 4 mm

**Shaft grounding ring**

Pos.	Description	Diameter			
		Kit No	?30	?40	?50
			96932119	96932121	96932122
159e	Shaft grounding ring		1	1	1
-	Screw (M3 x 12)		2	2	2

**Shaft seal, IP55**

Pos.	Description/ kit No	96843459
159d	V-ring	2

**Shaft seal, IP66**

Pos.	Description/ kit No	96796191
159d	Gamma ring	2

**Terminal board**

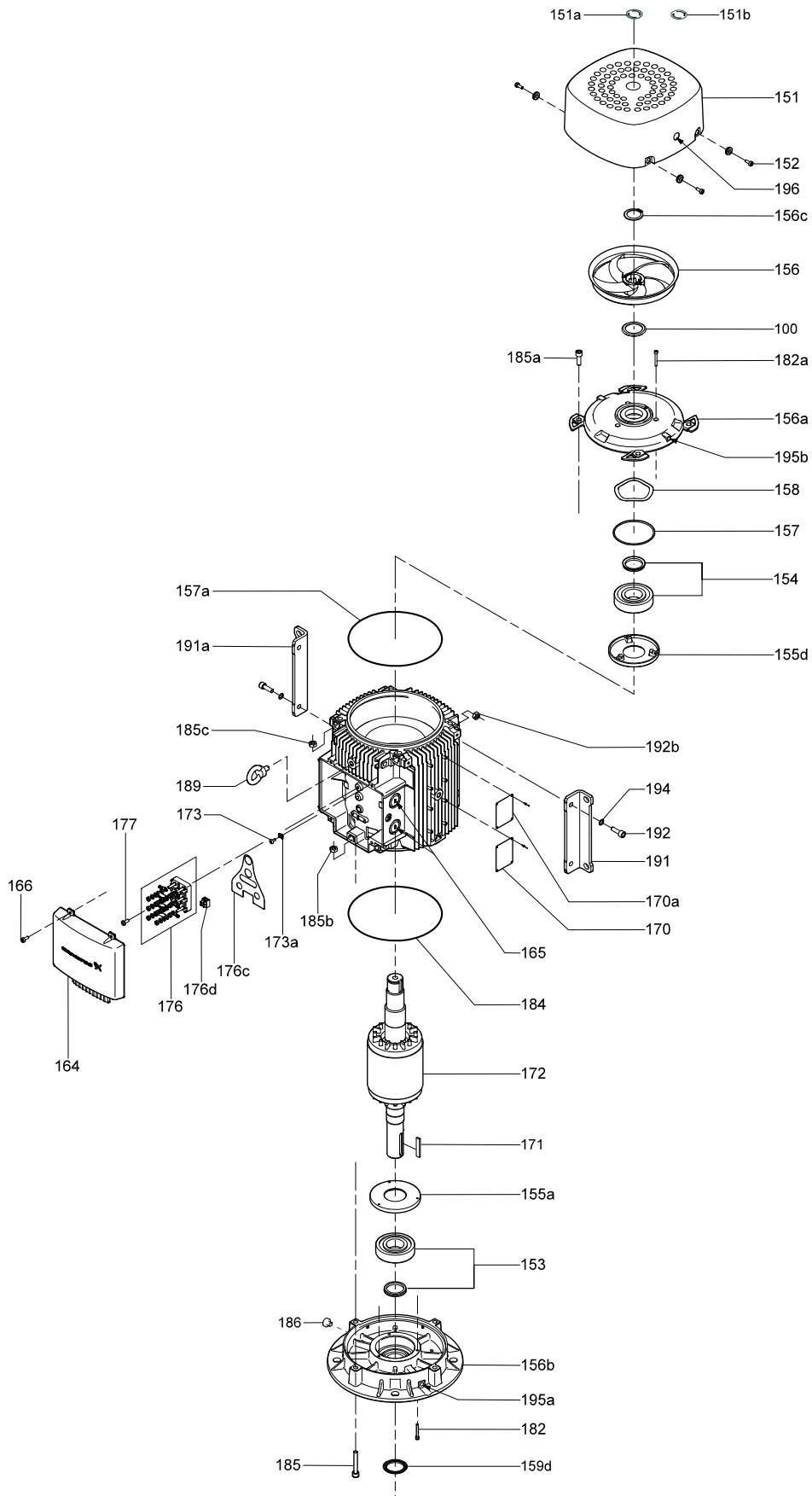
Pos.	Description/ kit No	96796657
176	Terminal board with nut and washers	1
177	Screw	1
-	Connecting bar	3
176d	Terminal	1

**Terminal box cover**

Pos.	Description/ kit No	96796659
164	Terminal box cover with gasket	1
166	Screw	4

MG 160/180-F/H

Model F/H MG, ML



TM03 8485 4313

**MG/ML 180****Bearing**

Pos.	Description	Type	MG180MB2-F1	ML180AA
		Pump type	CR, CRN, CRN-S, CRN-SF, CRK, MTR	Other pumps
		Kit No	96796812	96796811
153	Ball bearing		1	1
154	Ball bearing		1	1
158	Corrugated spring		1	1

**Bearing cover**

Pos.	Description/ kit No	96796809
155a/ 155d	Bearing cover	1
182/ 182a	Screw with copper gasket	3

**End shield, non-drive end**

Pos.	Description	Diameter	?
		Kit No	96932040
156a	End shield		1
158	Corrugated spring		1
159e	Shaft grounding ring		1
185a	Screw		4
185c	Nut		4
195b	Grease nipple		1

**End shield, drive end**

Pos.	Description	Diameter	?
		Kit No	96796805
156b	End shield, with grease nipple		1
185	Screw		4
185b	Nut		4
186	Drain plug		3
195a	Grease nipple		1

**Eyebolt**

Pos.	Description/ kit No	96796712
189	Eyebolt	2

**Fan, CW**

Pos.	Description	Diameter	?	?
		Kit No	96796790	96796791
156	Fan, CW		1	1
-	Retaining ring		1	1

**Fan, CCW**

Pos.	Description	Diameter	?	?
		Kit No	96796716	96796718
156	Fan, CCW		1	1
-	Retaining ring		1	1

**Flange**

Pos.	Description	Type	MG180	ML180
		Flange dimension	FF300	284/286TSC
		Kit No	96796807	96831195
156b	Flange		1	1
185	Screw		4	4
185b	Nut		4	4
186	Drain plug		4	4
195a	Grease nipple		1	1

**Foot**

Pos.	Description	Type	ML180M/L
		Kit No	96796804
191	Right foot with 3 holes		1
191a	Left foot with 3 holes		1
192	Screw		4
192b	Nut		4
194	Lock washer		4

**Grease nipple**

Pos.	Description/ kit No	96796671
195a/ 195b	Grease nipple	2

**O-ring**

Pos.	Description/ kit No	96798508
184	O-ring 235 x 4 mm	2

**Key**

Pos.	Description/ kit No	96796817
171	Key	1

**Shaft grounding ring**

Pos.	Description	Dia.	?	?	?
		Kit No	96932119	96932121	96932122
159e	Shaft grounding ring		1	1	1
-	Screw (M3 x 12)		2	2	2

**Shaft seal, IP55**

Pos.	Description/ kit No	96843460
159d	V-ring	2

**Shaft seal, IP66**

Pos.	Description/ kit No	96796802
159d	Gamma ring	2

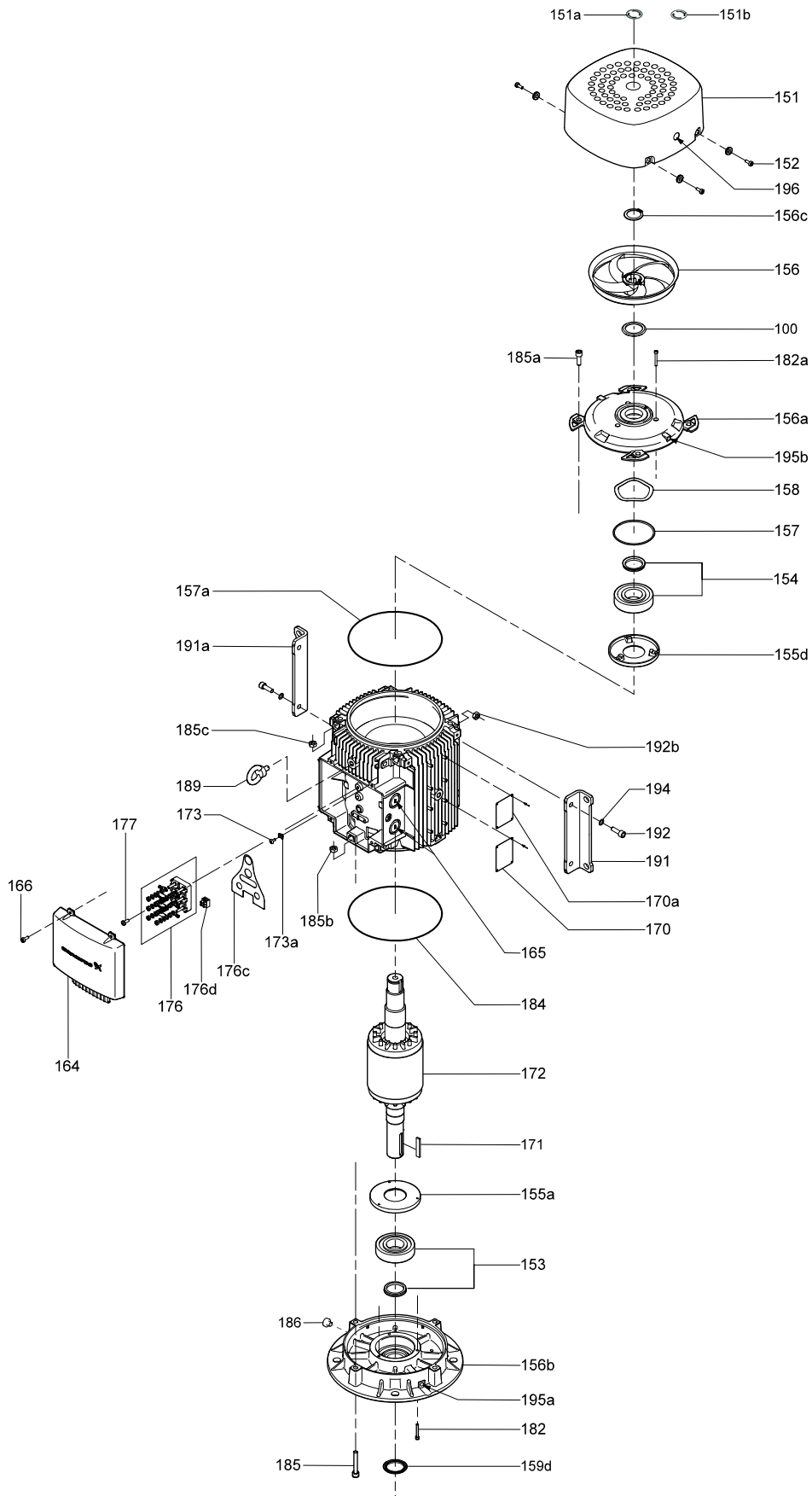
**Terminal board**

Pos.	Description/ kit No	96796657
176	Terminal board with nut and washers	1
177	Screw	1
-	Connecting bar	3
176d	Terminal	1

**Terminal box cover**

Pos.	Description/ kit No	96796659
164	Terminal box cover with gasket	1
166	Screw	4

MG 160/180-F/H



TM03 8485 4313