

## 66. PM, PM Rain

### Pressure Manager

50/60 Hz, PM 1, PM 2

#### Control board

Pos.	Model	PM 2
	Description/kit No	<a href="#">97702432</a>
4	Control board	1
3	Terminal block cover	1

#### Front cover

Pos.	Model	PM 2
	Description/kit No	<a href="#">97702434</a>
1	Screw	4
2	Front cover	1
5a	O-ring	1

#### Membrane

Pos.	Model	PM 2
	Description/kit No	<a href="#">97702431</a>
7	Membrane	1
8	Membrane cover	1
9	Screw	8

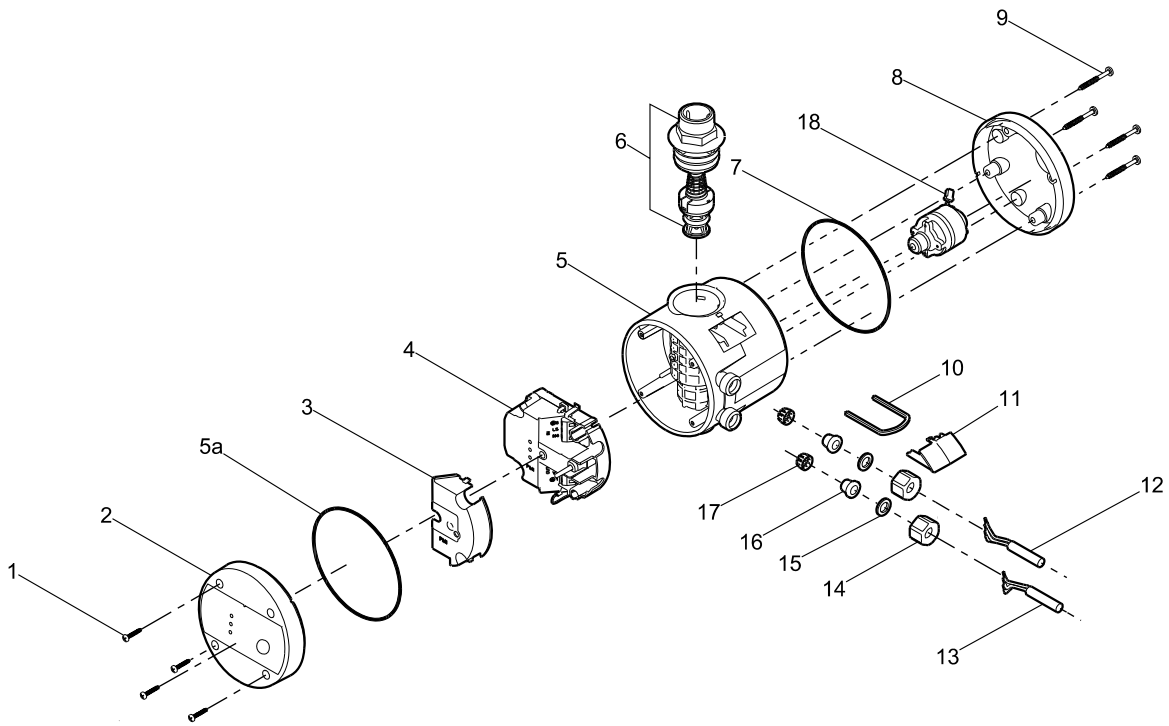
#### Outlet with non-return valve

Pos.	Model	PM 1, PM 2
	Description/kit No	<a href="#">97702433</a>
6	Outlet with non-return valve	1
10	Clip	1

#### Pressure sensor

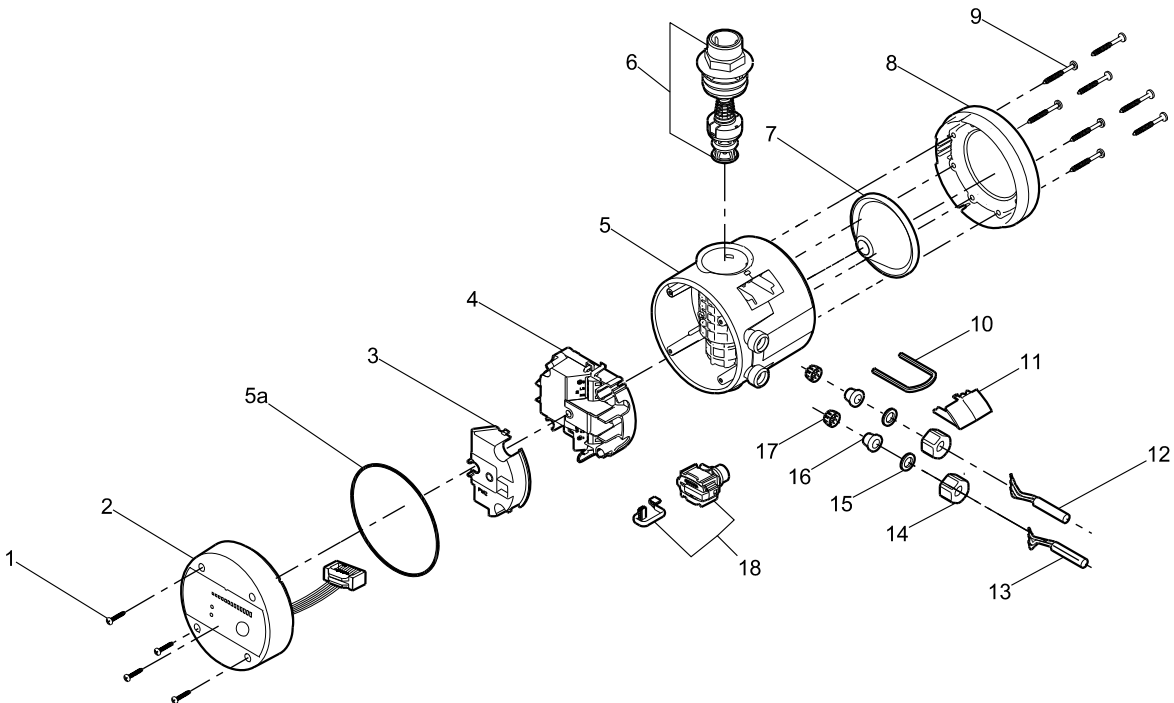
Pos.	Model	PM 2
	Description/kit No	<a href="#">97702422</a>
18	Pressure transducer	1
	Pressure transducer cable	1

PM 1



TM044529

PM 2



TM044530

**PM Rain****50/60 Hz, PM Rain****Control board**

Pos.	Description/kit No	98466536
2	Control board	1
	Terminal block cover	1

**Double non-return valve**

Pos.	Description/kit No	98466570
	Double non-return valve	1
	Fitting	1
4	O-ring	1
	screw	4
	Threaded plate	2

**Front cover**

Pos.	Description/kit No	98466469
1	Screw	4
	Front cover	1
	O-ring	1

**Membrane**

Pos.	Description/kit No	97702431
7	Membrane	1
8	Membrane cover	1
9	Screw	8

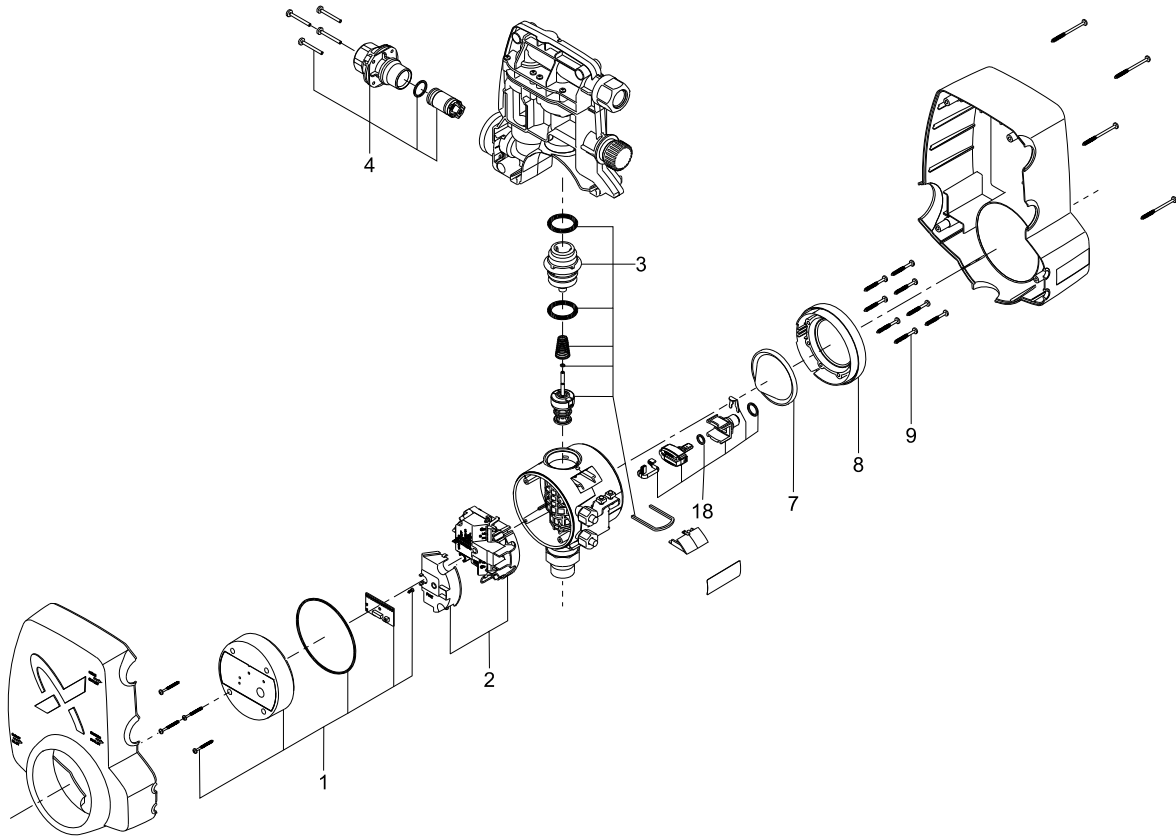
**Outlet with non-return valve**

Pos.	Description/kit No	98466562
3	Outlet with non-return valve	1
	Clip	1

**Pressure sensor**

Pos.	Description/kit No	97702422
18	Pressure Sensor	1
	O-ring	1
	Pressure Sensor cable	1

## PM Rain



TM059645