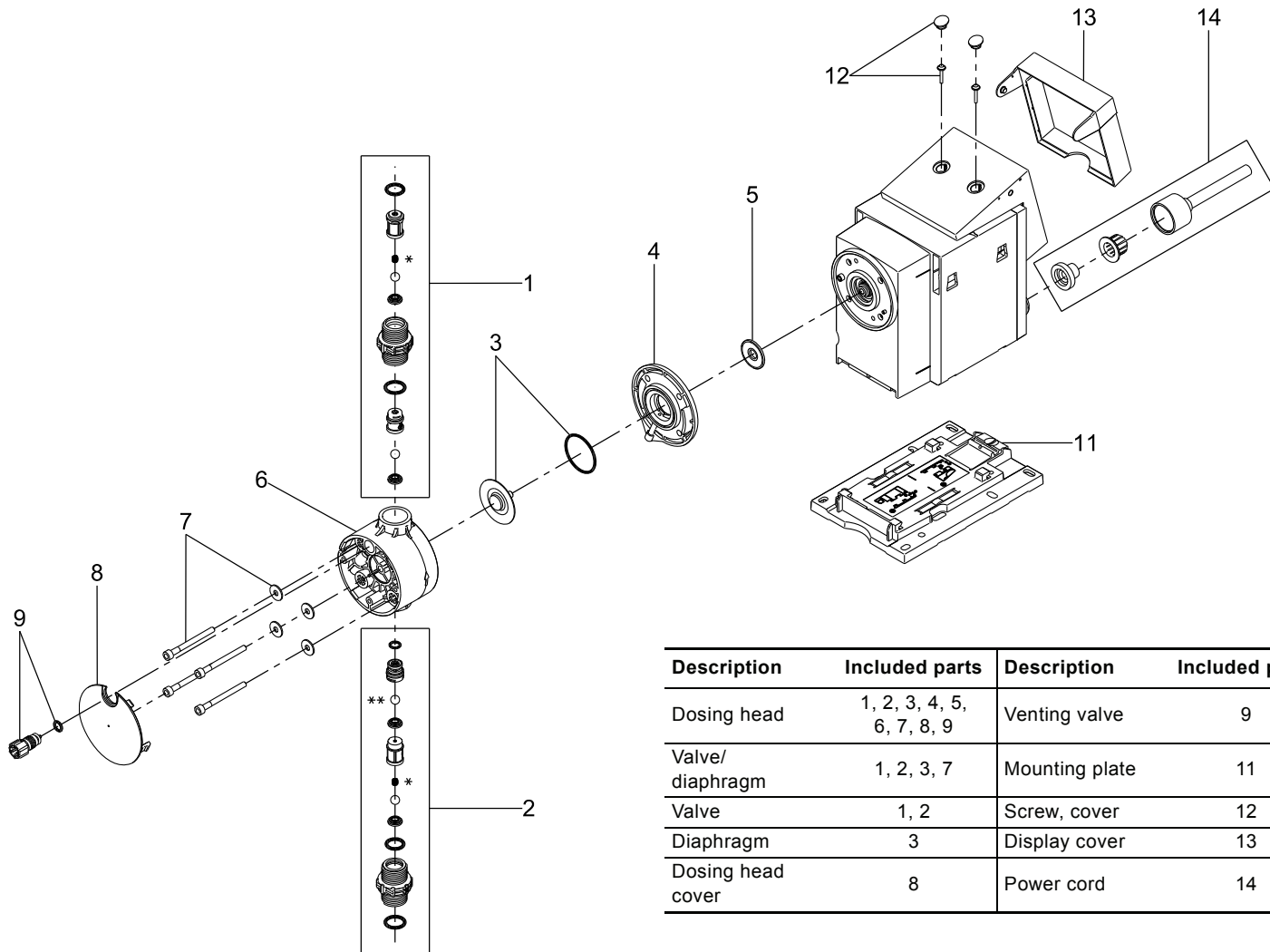


DDA, DDC, DDE up to 17 lh





Description	Included parts	Description	Included parts
Dosing head	1, 2, 3, 4, 5, 6, 7, 8, 9	Venting valve	9
Valve/ diaphragm	1, 2, 3, 7	Mounting plate	11
Valve	1, 2	Screw, cover	12
Diaphragm	3	Display cover	13
Dosing head cover	8	Power cord cover	14

97821829 0411

ECM: 1073819

The name Grundfos, the Grundfos logo, and the payoff Be–Think–Innovate are registered trademarks owned by Grundfos Management A/S or Grundfos A/S, Denmark. All rights reserved worldwide.
