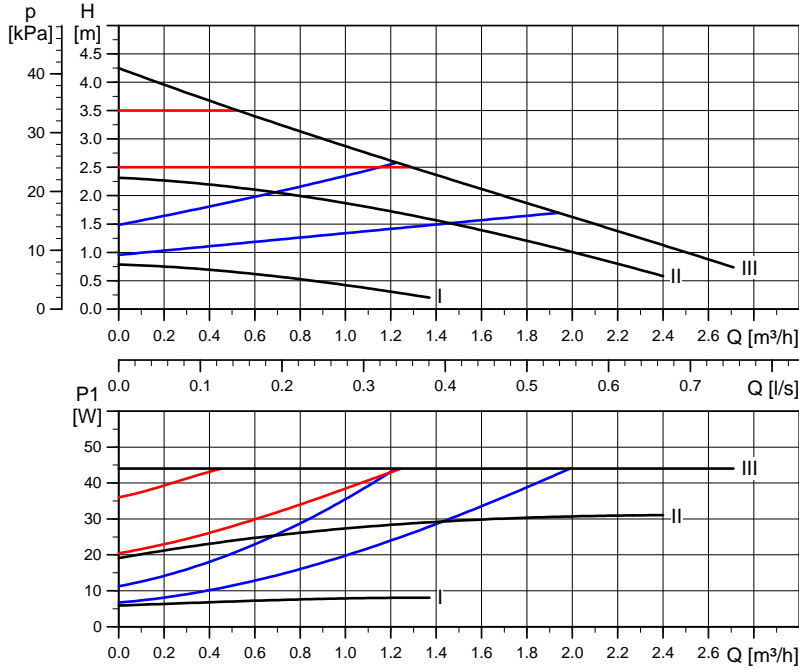


ALPHA2 L 20-45 N

1 x 230 V, 50 Hz

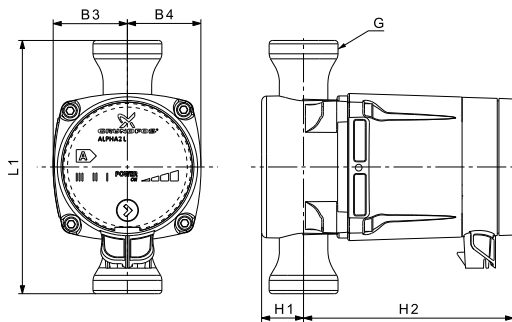


TM05 2213 4611

Speed	P ₁ [W]	I _{1/1} [A]
Min.	7	0.07
Max.	45	0.34

System pressure: Max. 1.0 MPa (10 bar).
Liquid temperature: +2 °C to +110 °C (TF 110).

The pump incorporates overload protection.



TM05 2201 4611

Pump type	Dimensions [mm]						Weights [kg]		Ship. vol. [m³]
	L1	B3	B4	H1	H2	G	Net	Gross	
ALPHA2 L 20-45 N	150	43	43	27	127	1 1/4	1.8	2.0	0.00383

98119349 1111

GB

ECM: 1084482

Subject to alterations.