

## 44. MGE, MLE

### Model F

50/60 Hz

#### Kit, Board

| Pos. | Description     | [kW]  | Kit No   |
|------|-----------------|-------|----------|
| 273  | Control board   | 11-22 | 96348918 |
| 275  | Inverter board  | 11    | 96348919 |
|      | Inverter board  | 22    | 96348920 |
| 274  | Rectifier board | 11-22 | 96348921 |

#### Connector plugs

| Description     | [kW]  | Kit No   |
|-----------------|-------|----------|
| Connector plugs | 11-22 | 96348923 |

#### Control panel

| Pos. | Description                     | Kit No   |
|------|---------------------------------|----------|
| 259  | Control panel, standard         | 96348924 |
|      | Control panel, building service | 96348925 |
|      | Control panel, blind cover      | 96348926 |

#### EMC cable gland

| Description               | Kit No   |
|---------------------------|----------|
| EMC cable gland M40 x 1.5 | 96348974 |

#### EMC filter

| Description | Kit No   |
|-------------|----------|
| EMC filter  | 96478309 |

#### Functional modules

| Pos. | Description                        | Kit No   |
|------|------------------------------------|----------|
| 263  | Functional module, pump add-on     | 96348929 |
|      | Functional module, Multi-E         | 96348930 |
|      | Functional module, TPED            | 96348931 |
|      | Functional module, GENIbus/RS485   | 96348932 |
|      | Functional module, LON             | 96348933 |
|      | Functional module, PROFIBUS        | 96348934 |
|      | Functional module, Ethernet        | 96348935 |
|      | Functional module, advanced add-on | 96348936 |
|      | Functional module, Modbus          | 96348948 |
|      | Functional module, GSM             | 96348949 |

#### Harmonic filter

| Description     | Kit No   |
|-----------------|----------|
| Harmonic filter | 96348985 |

#### Motor

| Pump type |            | 11 kW    | 15 kW    | 18.5 kW  | 22 kW    |
|-----------|------------|----------|----------|----------|----------|
| CRE       | 2-pole B5  | 96844357 | 96844358 | 96844359 | 96844360 |
|           | 2-pole B35 | 96844385 | 96844387 | 96844388 | 96844389 |
| NBE       | 4-pole B35 | 96844397 | 96844400 | 96844401 | -        |
|           | 2-pole B3  | 96844390 | 96844391 | 96844392 | 96844393 |
| NKE       | 4-pole B3  | 96844402 | 96844404 | 96844405 | -        |
|           | 2-pole B5  | 96844379 | 96844380 | 96844382 | 96844384 |
| TPE       | 4-pole B5  | 96844394 | 96844395 | 96844396 | -        |

#### Terminal box

| Description           | [kW]  | Kit No   |
|-----------------------|-------|----------|
| Terminal box complete | 11    | 96348913 |
| Terminal box complete | 15-22 | 96348914 |

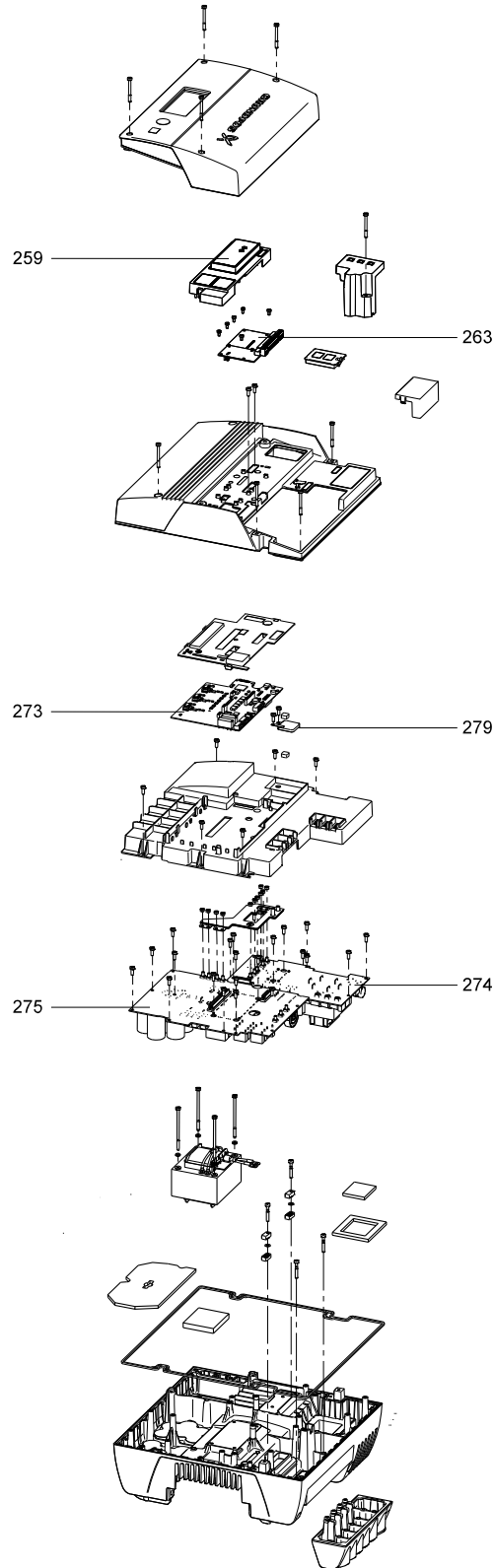
#### Varistor

| Pos. | Description | [kW]  | Kit No   |
|------|-------------|-------|----------|
| 279  | Varistor    | 11-22 | 96348917 |

#### Upgrade kit

| Description | Motor type           | MGE 11-22 kW | MLE 11-22kW |
|-------------|----------------------|--------------|-------------|
|             | Kit No               | 96348972     | 96348973    |
| Cable gland | M16                  | 2            | -           |
| Adapter     | M16 x 1.5 - NPT 3/4" | -            | 2           |
| Nut         | M16 x 1.5            | 2            | 2           |

Terminal box



TM04 2443 2508