

49. MTA, MTAD

MTA 30, 60, 90, 120, 200, 20H, 40H, 70H, 100H

Bottom suction

Pos.	Description Kit No	MTA 30 98073609	MTA 60 98073623	MTA 90 98073627	MTA 120 98073629	MTA 120 98561950	MTA 200 98073630	MTA 70H 98561963
49	Impeller, bronze	-	-	-	1	-	1	-
49	Impeller, composite	1	1	1	-	1	-	1
62	Washer	2	2	2	2	2	2	2
188a	Washer	1	1	1	1	1	1	1
188b	Nut	1	1	1	1	1	1	1

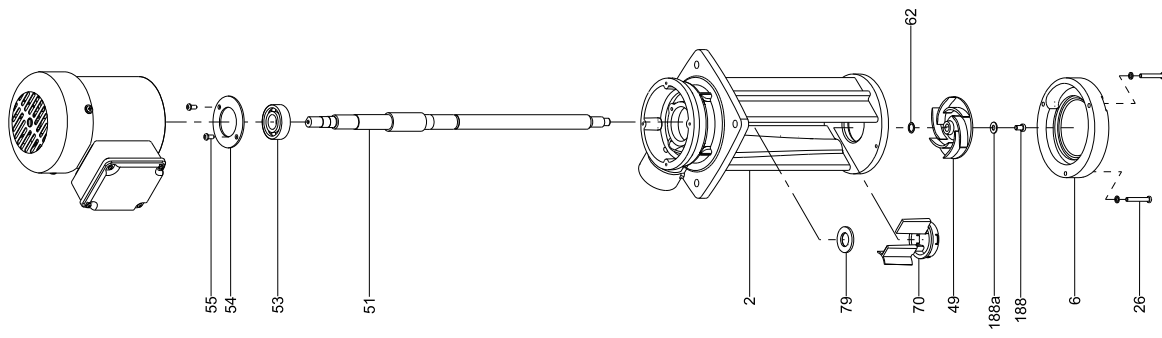
Terminal box

Description	MTA 30,60,90,20H,40H,70H	MTA 120,200,100H	MTA 30,60,90,20H,40H,70H	MTA 120,200,100H
Voltage	230 / 400 V	230 / 400 V	200 V	200 V
Kit No	98561965	98561968	98591908	98591909
Terminal box	1	1	1	1

Top suction

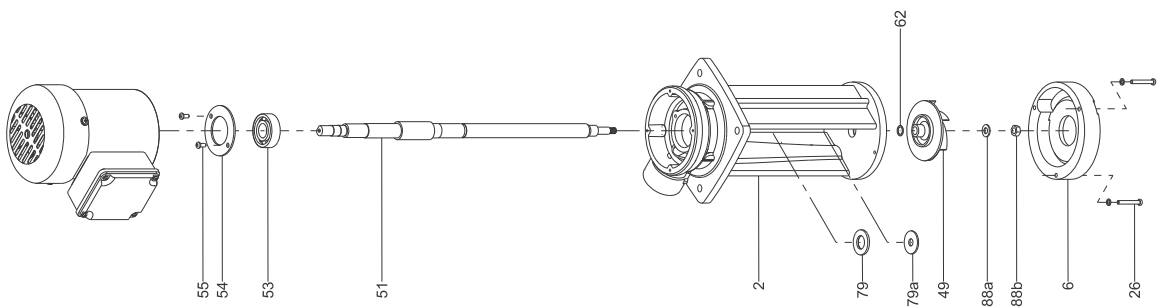
Pos.	Description Kit No	MTA 30 98073603	MTA 60 98073621	MTA 90 98073625	MTA 120 98073628	MTA120 98561949	MTA 20H 98073641	MTA 40H 98073642	MTA 70H 98073643	MTA 100H 98073644
49	Impeller, bronze	-	-	-	1	-	1	1	1	1
49	Impeller, composite	1	1	1	-	1	-	-	-	-
62	Washer	2	2	2	2	2	2	2	2	2
70	Vortex preventer	-	-	2	2	2	-	-	-	-
188	Bolt	1	1	1	1	1	1	1	1	1
188a	Washer	1	1	1	1	1	1	1	1	1

30, 60, 90, 120, 20H, 40H, 70H, 100H top suction



TM05 1996 4211

30, 60, 90, 120, 200 bottom suction



TM05 1995 4211