

ALPHA2



TM07 1419 1818

The Grundfos ALPHA2 is a complete range of circulator pumps designed for circulating liquids in the following applications:

- heating systems
- air-conditioning and cooling systems.
- domestic hot-water systems.

The installation of an ALPHA2 pump reduces the power consumption considerably, reduce noise from thermostatic radiator valves and similar fittings and improve the control of the system.

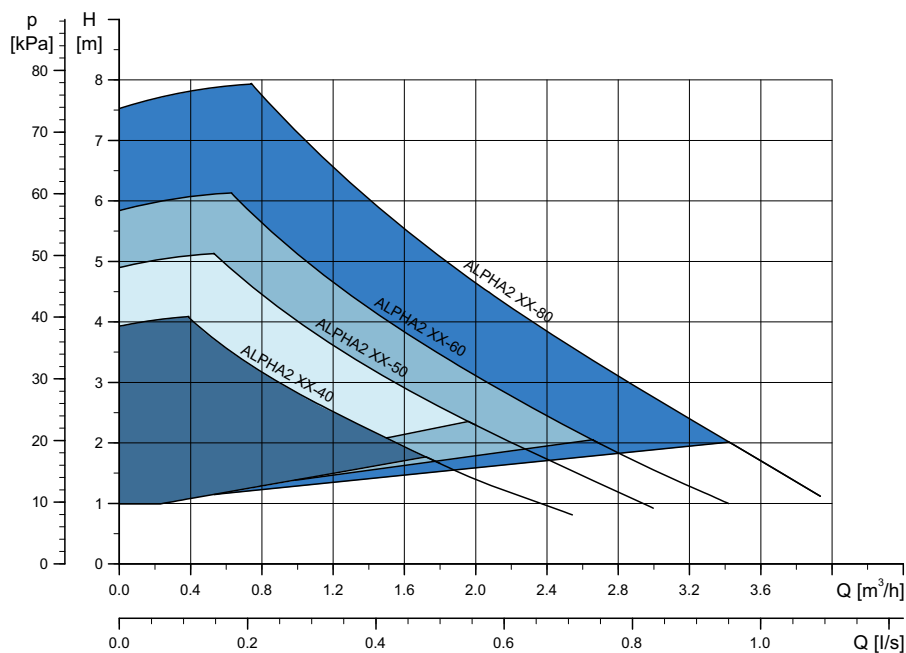
Features and benefits

- Multiple automatic control modes
- Proportional-pressure control
- Constant-pressure control
- Constant-curve/constant-speed duty
- Automatic performance adjustment
- Display of actual power consumption and flow
- Automatic night setback
- Manual summer mode
- Maintenance-free
- Low noise level
- Low EEI (Energy Efficiency Index)
- Very simple installation
- No external motor protection required
- Pumps without air separating chamber are supplied with insulating shells
- Wide temperature range where the liquid temperature and the ambient temperature are independent of each other.
- Compatible with ALPHA Reader, which is used for hydronic balancing of radiators and underfloor heating in a fast and safe way.

Duty range

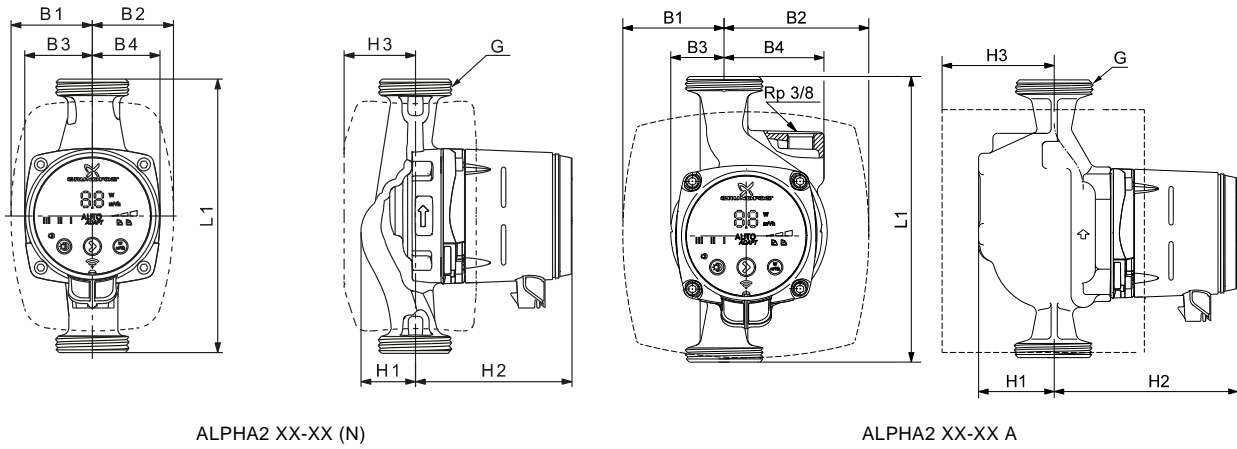
Data	
Maximum flow rate, Q	3.8 m ³ /h
Maximum head, H	8 metres
Maximum system pressure	1.0 MPa (10 bar)
Ambient temperature	0 to 40 °C
Liquid temperature	+2 to +110 °C

Performance range



TM07 0802 0818

Dimensions



TM05 2364 5011 - TM05 2574 2618

© Copyright Grundfos Holding A/S

Pump type	Dimensions [mm]									Weights [kg]		Ship. vol. [m ³]
	L1	B1	B2	B3	B4	H1	H2	H3	G	Net	Gross	
ALPHA2 15-40	130	54	54	44	44	36	104	47	G 1	1.7	1.9	0.004
ALPHA2 15-50	130	54	54	44	44	36	104	47	G 1	1.7	1.9	0.004
ALPHA2 15-60	130	54	54	44	44	36	104	47	G 1	1.7	1.9	0.004
ALPHA2 15-80	130	54	54	44	44	36	104	47	G 1	1.7	1.9	0.004
ALPHA2 25-40	130	54	54	44	44	36	104	47	G 1 1/2	1.9	2.0	0.004
ALPHA2 25-40 N	130	54	54	44	44	37	104	47	G 1 1/2	2.0	2.1	0.004
ALPHA2 25-50	130	54	54	44	44	36	104	52	G 1 1/2	1.9	2.0	0.004
ALPHA2 25-50 N	130	54	54	44	44	37	104	52	G 1 1/2	2.0	2.1	0.004
ALPHA2 25-60	130	54	54	44	44	36	104	47	G 1 1/2	1.9	2.0	0.004
ALPHA2 25-60 N	130	54	54	44	44	37	104	47	G 1 1/2	2.0	2.1	0.004
ALPHA2 25-80	130	54	54	44	44	36	104	47	G 1 1/2	1.9	2.0	0.004
ALPHA2 25-80 N	130	54	54	44	44	37	104	47	G 1 1/2	2.0	2.1	0.004
ALPHA2 25-40	180	54	54	44	44	36	104	47	G 1 1/2	2.0	2.1	0.004
ALPHA2 25-40 N	180	54	54	44	44	37	104	47	G 1 1/2	2.1	2.3	0.004
ALPHA2 25-40 A	180	64	98	32	63	50	124	81	G 1 1/2	2.9	3.0	0.0042
ALPHA2 25-50	180	54	54	44	44	36	104	52	G 1 1/2	2.0	2.1	0.004
ALPHA2 25-50 N	180	54	65	44	44	37	104	52	G 1 1/2	2.1	2.3	0.004
ALPHA2 25-60	180	54	54	44	44	36	104	47	G 1 1/2	2.0	2.1	0.004
ALPHA2 25-60 N	180	54	54	44	44	37	104	47	G 1 1/2	2.1	2.3	0.004
ALPHA2 25-60 A	180	64	98	32	63	50	124	81	G 1 1/2	2.9	3.0	0.0042
ALPHA2 25-80	180	54	54	44	44	36	104	47	G 1 1/2	2.0	2.1	0.004
ALPHA2 25-80 N	180	54	54	44	44	37	104	47	G 1 1/2	2.1	2.3	0.004
ALPHA2 32-40	180	54	54	44	44	36	104	47	G 2	2.1	2.3	0.004
ALPHA2 32-40 N	180	54	54	44	44	37	104	47	G 2	2.3	2.4	0.004
ALPHA2 32-50	180	54	54	44	44	36	104	47	G 2	2.1	2.3	0.004
ALPHA2 32-50 N	180	54	54	44	44	37	104	47	G 2	2.3	2.4	0.004
ALPHA2 32-60	180	54	54	44	44	36	104	47	G 2	2.1	2.3	0.004
ALPHA2 32-60 N	180	54	54	44	44	37	104	47	G 2	2.3	2.4	0.004
ALPHA2 32-80	180	54	54	44	44	36	104	47	G 2	2.1	2.3	0.004
ALPHA2 32-80 N	180	54	54	44	44	37	104	47	G 2	2.3	2.4	0.004

For further product documentation and product numbers, see below.
<http://net.grundfos.com/qr/i/99462953>



The name Grundfos, the Grundfos logo, and be think innovate are registered trademarks owned by Grundfos Holding A/S or Grundfos A/S, Denmark. All rights reserved worldwide.

98712396 0618
 ECM: 1233766