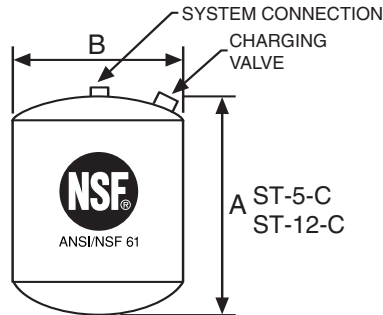




THERM-X-TROL®

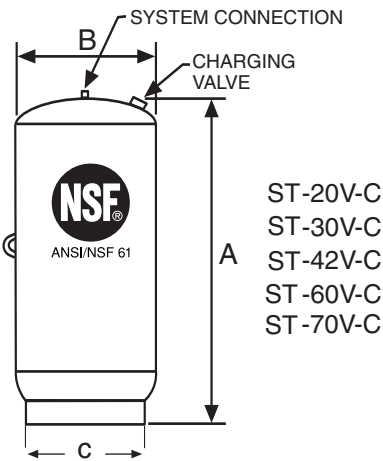
Thermal Expansion Absorbers, ST-C Series (ASME)

250 PSIG Working Pressure



In-Line Models

Model No.	Tank Vol.		Max. Recomm. Accept. Vol.		A Vol Height		B Diameter		Sys. Conn.	Ship Wt.	
	Lit.	Gal.	Lit.	Gal.	mm	ins.	mm	ins.	ins.	kg	lbs.
ST-5-C	8	4.0	3.44	.9	264	10 ³ / ₈	254	10	¾ NPTF	9.5	21
ST-12-C	24	6.4	12.0	3.2	340	13 ³ / ₈	305	12	¾ NPTF	15.4	36



Stand Models

Model No.	Tank Vol.		Max. Recomm. Accept. Vol.		A Height		B Diameter		C Dim.		Sys. Conn.	Ship Wt.	
	Lit.	Gal.	Lit.	Gal.	mm	ins.	mm	ins.	mm	ins.	ins.	kg	lbs.
ST-20V-C	30	8.0	12.0	3.2	510	20 ¹ / ₁₆	305	12	273	10 ³ / ₄	¾ NPTF	23.6	52
ST-30V-C	53	14.0	33.9	8.96	491	19 ⁵ / ₁₆	419	16 ¹ / ₄	324	12 ³ / ₄	¾ NPTF	44	97
ST-42V-C	66	17.5	42.9	11.4	640	25 ³ / ₁₆	419	16 ¹ / ₄	324	12 ³ / ₄	¾ NPTF	52.7	116
ST-60V-C	95	25.0	42.9	11.4	864	34	419	16 ¹ / ₄	324	12 ³ / ₄	¾ NPTF	70	154
ST-70V-C	129	34.0	42.9	11.4	1076	42 ³ / ₈	419	16 ¹ / ₄	324	12 ³ / ₄	¾ NPTF	90	197
ST-80V-C	200	53.0	130	34	1029	40 ¹ / ₂	610	24	406	16	1 ¹ / ₄ NPTF	114	251
ST-120V-C	250	66.0	130	34	1213	47 ³ / ₄	610	24	406	16	1 ¹ / ₄ NPTF	127.6	281
ST-180V-C	292	77.0	130	34	1337	52 ⁵ / ₈	610	24	406	16	1 ¹ / ₄ NPTF	160.3	353
ST-210V-C	341	90.0	130	34	1524	60	610	24	406	16	1 ¹ / ₄ NPTF	173.4	382

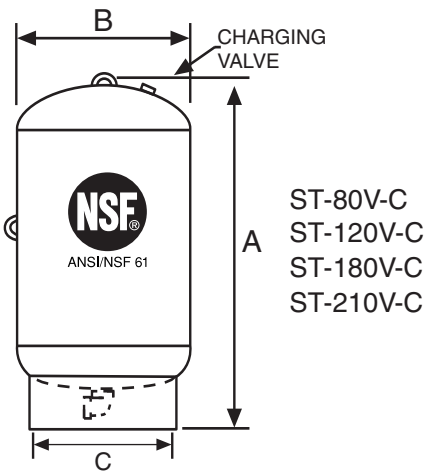
Constructed per ASME Code Section VIII, Division 1.
All dimensions and weights are approximate.

Maximum Operating Conditions

Operating Temperature	200°F (93°C)
Working Pressure	250 PSIG (17.6 bar)

Specifications

Description	Standard Construction
Standard Factory Pre-charge	55 PSIG (3.9 bar)
System Connection	Stainless Steel
Diaphragm	Heavy Duty Butyl/EPDM ANS/NSF61
Liner Material	Polypropylene
Shell	Steel
Coating	Red Oxide Primer



Job Name _____
 Location _____

 Engineer _____

Contractor _____
 Contractor P.O. No. _____
 Sales Representative _____
 Model No. Ordered _____