



WELL-X-TROL®

WX-440/450 Series (Non-ASME)

150 PSIG Working Pressure

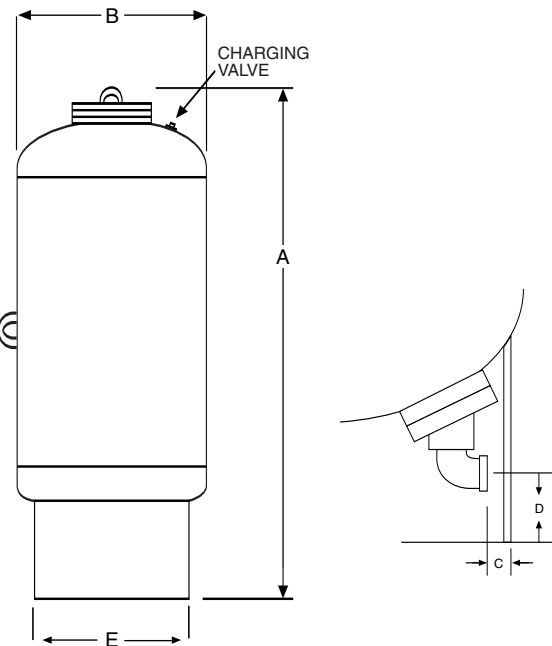
Non-ASME Models

Model No.	Tank Vol.		0 PSIG Acc. Vol.	Max. Recomm. Acc. Vol.		A Height		B Diameter		Sys. Conn.	C	D	E	Ship Wt.	
	Lit.	Gal	Gal	Lit.	Gal	mm	ins.	mm	ins.	ins.	ins.	ins.	ins.	kg	lbs.
WX-447	200	53	53	129	34	1150	45 ¹ / ₄	610	24	2	2	3 ³ / ₄	19	120	263
WX-448	300	80	80	197	52	1502	59 ¹ / ₈	610	24	2	2	3 ³ / ₄	19	140	308
WX-449	400	106	106	261	69	1857	73 ¹ / ₈	610	24	2	2	3 ³ / ₄	19	160	352
WX-450	500	132	132	322	85	2200	86 ⁵ / ₈	610	24	2	2	3 ³ / ₄	19	178	392
WX-451	600	158	158	386	102	1861	73 ¹ / ₄	762	30	2	3 ¹ / ₂	5 ¹ / ₂	24	233	513
WX-452	800	211	211	519	137	2312	91	762	30	2	3 ¹ / ₂	5 ¹ / ₂	24	275	607
WX-453	1000	264	264	647	171	2184	86	914	36	3	4 ¹ / ₂	7	30	367	810
WX-454	1200	317	317	780	206	2489	98	914	36	3	4 ¹ / ₂	7	30	415	914
WX-455	1400	370	370	908	240	2804	110 ³ / ₈	914	36	3	4 ¹ / ₂	7	30	462	1018
WX-456	1600	422	422	1037	274	2080	81 ⁷ / ₈	1219	48	3	7 ¹ / ₂	7 ¹ / ₈	42	567	1250
WX-457	2000	528	528	1298	343	2470	97 ¹ / ₄	1219	48	3	7 ¹ / ₂	7 ¹ / ₈	42	616	1358

Note: Allow 18" (460mm) minimum clearance.

Operating Temperature	240° F (115° C)
Working Pressure	150 PSIG (10.5 bar)

Description	Standard Construction
Shell	Steel
Bladder	Heavy Duty Butyl ANSI/NSF 61
Bladder Thickness	.100 Ins. Minimum
System Connection	Malleable Iron (NPTF)
Coating	Red Oxide Primer
Factory Precharge	25 PSIG (1.8 bar)



Job Name _____

Contractor _____

Location _____

Contractor P.O. No. _____

Sales Representative _____

Model No. Ordered _____

Engineer _____