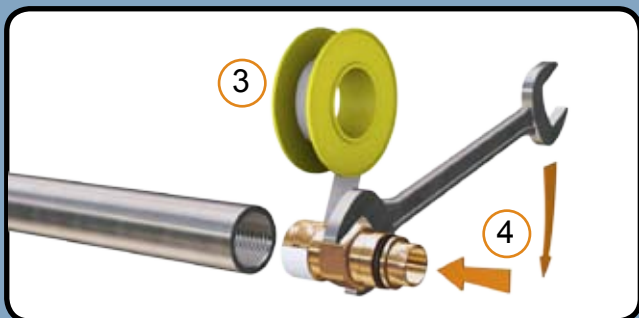
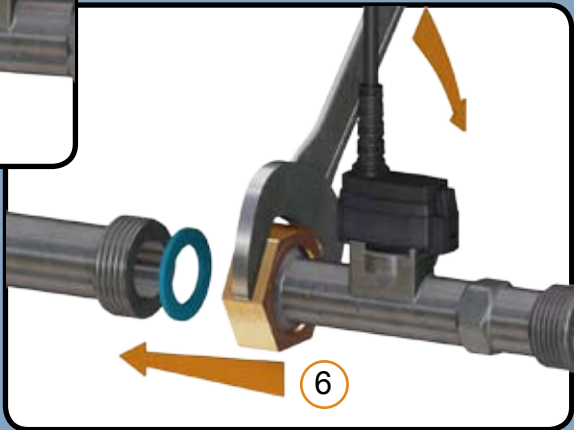
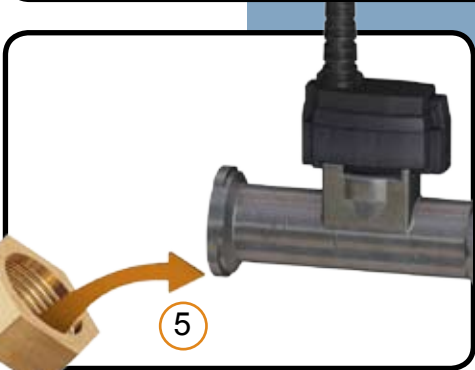
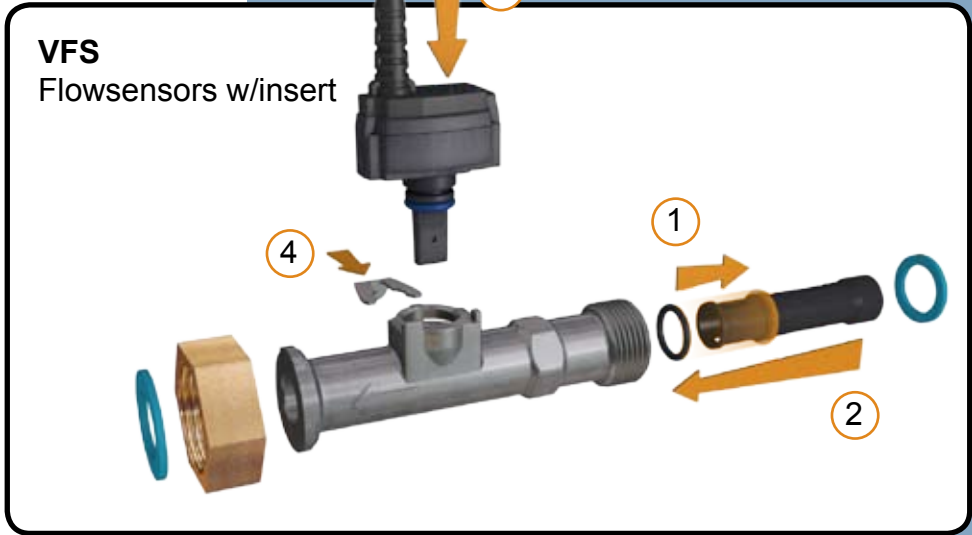
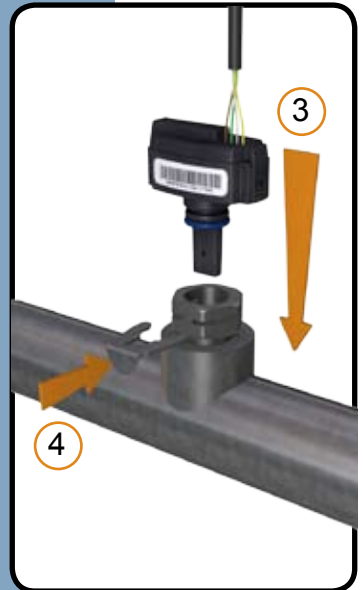
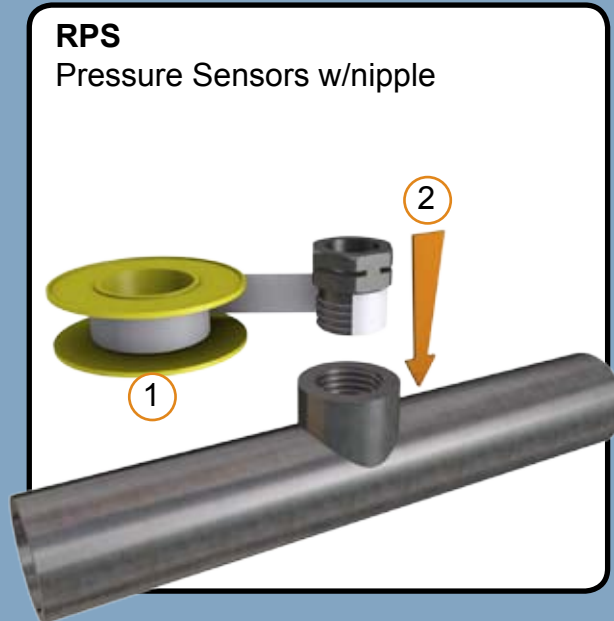
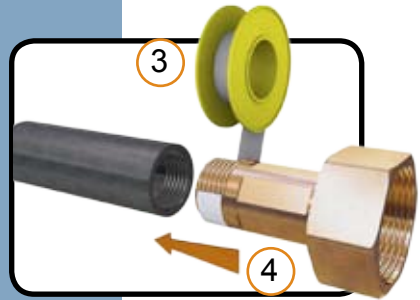
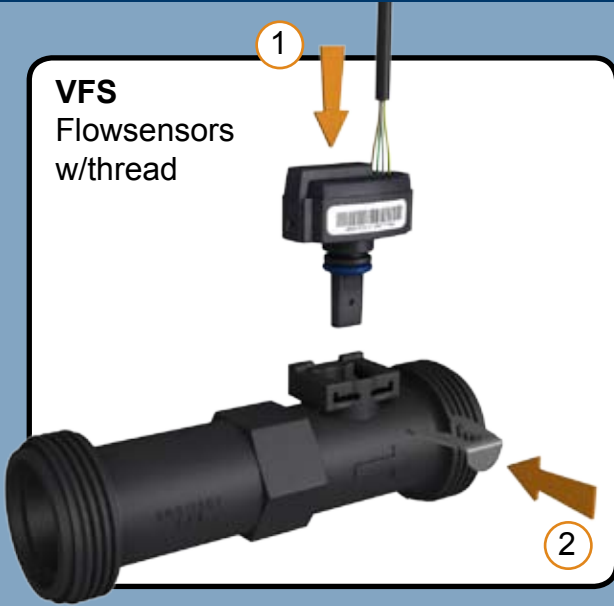


**VFS**

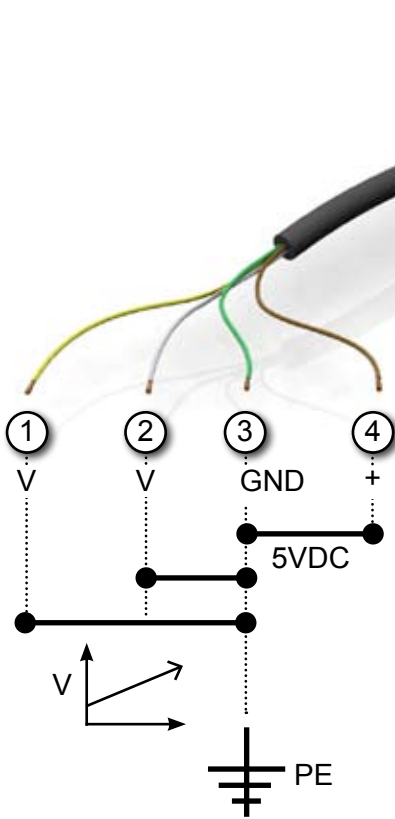
Flowsensors w/clipsystem











Electrical connections



Pin Configuration

1	Temperature signal *	
2	Flow / pressure signal *	
3	GND (0V)	
4	Voltage Supply (+ 5 VDC) PELV	

\* (0.5 to 3.5v relative to pin 3)

Housing for DPS

