

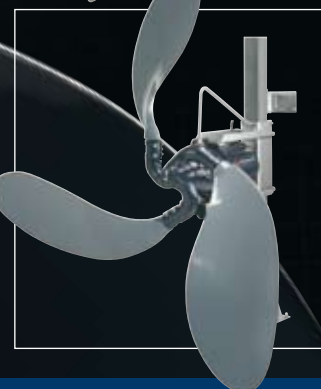
# GRUNDFOS AMG, AMD, and AFG RANGES

Mixers and flowmakers 2,0 - 25,0 HP

60Hz North America

## KEEP YOUR PROCESSES **MOVING**

Mixers and flowmakers for wastewater and  
sludge applications



BE > THINK > INNOVATE >

GRUNDFOS 

# STIRRING SUPPORT FOR YOUR SYSTEMS

Mixers and flowmakers. Creating flows on any scale.

Grundfos is dedicated to making wastewater systems of any kind as reliable and efficient as possible. Our AMD, AMG, and AFG ranges reflect this dedication. Very dependable and highly efficient, these submersible mixers and flowmakers prevent sedimentation and support processes in treatment plants, industries, and agriculture.

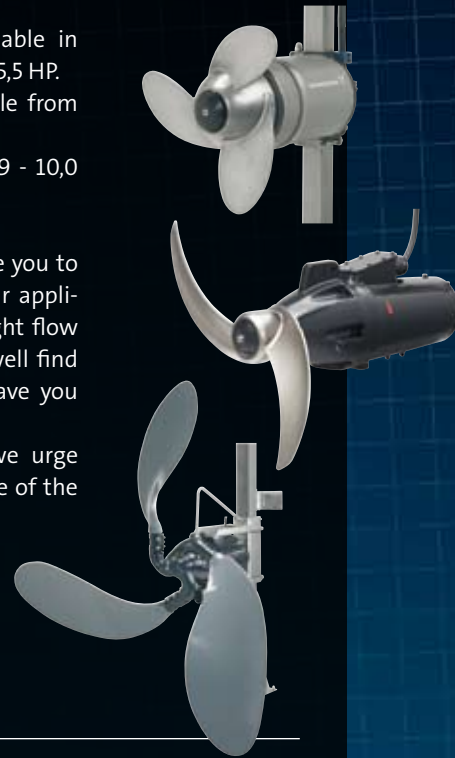
All models share many features, facilitating easy maintenance. Materials are selected for strength, and every component is tested for durability before assembly. Recent evolutions include a triple sealing system for maximum protection of the mechanical shaft seal as well as an installation-friendly mast, bracket, support system.

Grundfos mixers are available with direct (AMD) or planetary gear-driven (AMG) stainless steel or polyamide propellers. All flowmakers (AFG) are gear-driven and share the AMG motor design.

- AMD (direct-driven) mixers are available in 8-pole versions in the range from 3,4 - 5,5 HP.
- AMG (gear-driven) mixers are available from 2,0 - 25,0 HP.
- AFG flowmakers are available from 1,9 - 10,0 HP.

When you design your systems, we invite you to draw on the experience of Grundfos. Our application specialists can help ensure the right flow characteristics, velocities, etc. You may well find that Grundfos' recommendations can save you substantial cost on construction.

To make the most of our assistance we urge you to call us at the earliest stage possible of the project design.



## THE AMD, AMG, AND AFG AT WORK

Mixers and flowmakers make sure that particles remain evenly distributed in wastewater and sludge, preventing sedimentation and supporting treatment processes.

The range covers everything from small-scale mixers, ideal for prefabricated pumping stations, to large-scale flowmakers created for large tanks and basins. Wastewater infrastructure is an obvious application area – from network stations to treatment plants – but the mixing power of the AMD, AMG, and AFG ranges is also appreciated by industries and agricultural professionals worldwide.

### Typical application areas

- Sewage pumping stations
- Wastewater treatment plants
- Industrial processes
- Agriculture

### Installation

Great care has been taken to ensure easy installation of the Grundfos mixer/flowmaker ranges. The bracket have been designed on the basis of installation and customers input. For example top/bottom installation capabilities make the units instantly suitable for a very wide range of applications. Different control options are available to match your system – from start/stop to more sophisticated functions.



Mixers are ideal for preventing sedimentation in small-scale pumping stations.



Flowmakers can create the flow and velocities you require. For best result, ask us for more details.

# MIXER AND FLOWMAKER FEATURES – and what they do for you

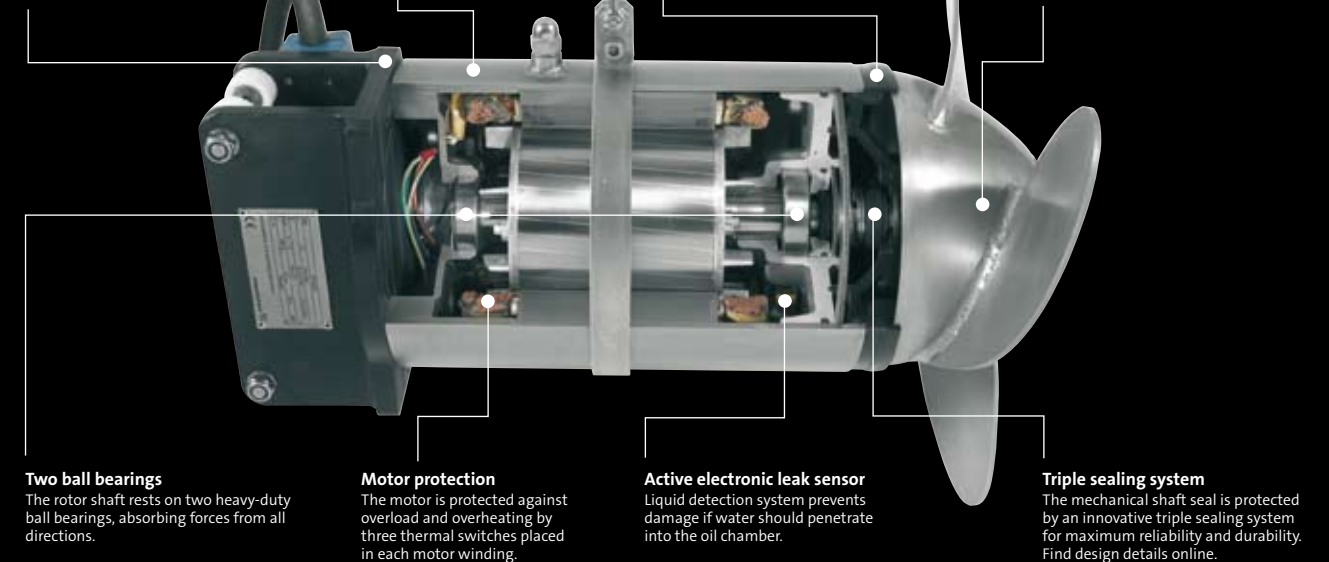
## AMD

**Innovative bracket design**  
Bracket design optimized for easy installation – adaptable for many different applications with no need for customisation.

**Motor housing**  
Stainless steel AISI 316; smooth, self-cleaning surface.

**Protection ring**  
POM protection ring prevents fibres from snagging on the propeller shaft.

**Self-cleaning propeller**  
Hydrodynamic 3-blade propeller and hub with excellent self-cleaning capabilities, made from stainless steel AISI 316.



**Two ball bearings**  
The rotor shaft rests on two heavy-duty ball bearings, absorbing forces from all directions.

**Motor protection**  
The motor is protected against overload and overheating by three thermal switches placed in each motor winding.

**Active electronic leak sensor**  
Liquid detection system prevents damage if water should penetrate into the oil chamber.

**Triple sealing system**  
The mechanical shaft seal is protected by an innovative triple sealing system for maximum reliability and durability. Find design details online.

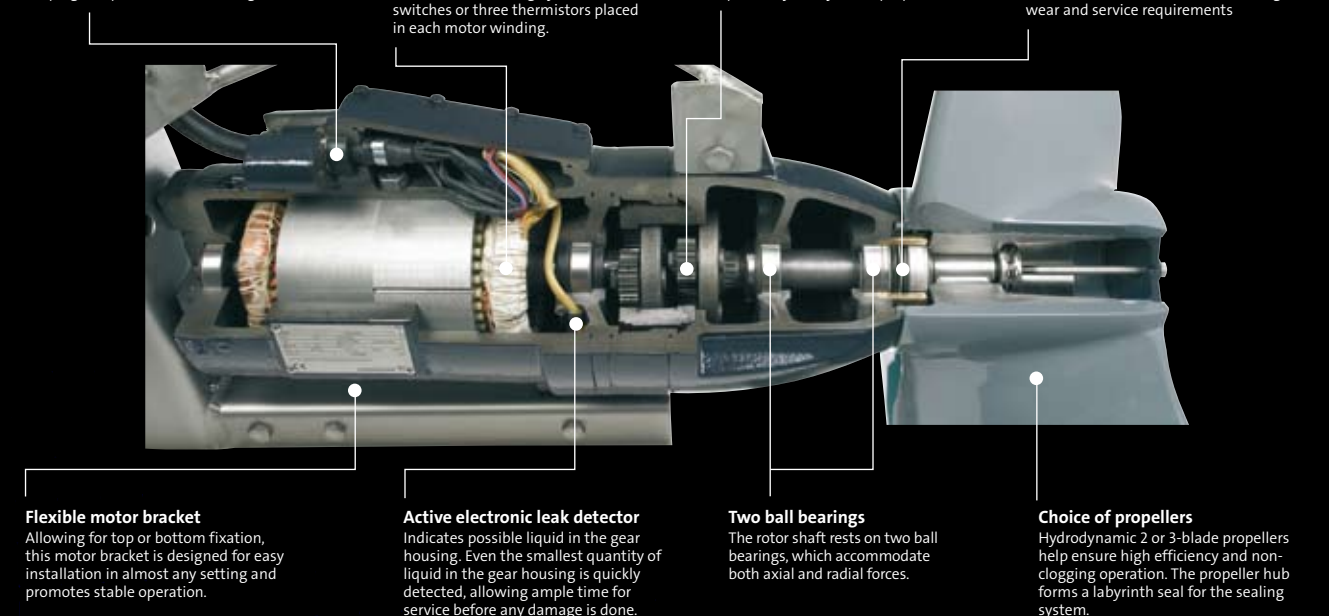
## AMG/AFG

**Watertight cable entry**  
A watertight cable entry point with self-shaping seal prevents cable damage.

**Motor protection**  
The motor is protected against overload and overheating by three thermal switches or three thermistors placed in each motor winding.

**Planetary gear**  
The gear housing has a slim design for optimal hydro-dynamic properties.

**Triple sealing system**  
An ingenious triple seal system protects the mechanical shaft seal, minimising wear and service requirements



**Flexible motor bracket**  
Allowing for top or bottom fixation, this motor bracket is designed for easy installation in almost any setting and promotes stable operation.

**Active electronic leak detector**  
Indicates possible liquid in the gear housing. Even the smallest quantity of liquid in the gear housing is quickly detected, allowing ample time for service before any damage is done.

**Two ball bearings**  
The rotor shaft rests on two ball bearings, which accommodate both axial and radial forces.

**Choice of propellers**  
Hydrodynamic 2 or 3-blade propellers help ensure high efficiency and non-clogging operation. The propeller hub forms a labyrinth seal for the sealing system.

## SEE THE BIGGER PICTURE

Grundfos is a global leader within water handling technology. Our passion is to bring you all the products you require to create and operate pump systems that combine reliability, cost-efficiency – and innovation. Our products are for use in water supply and wastewater infrastructure on any scale.

Grundfos has a full line of products and systems for the intake, treatment, and distribution of drinking water and for the transport and treatment of wastewater. We also offer expertise and industry insight that can increase reliability and reduce lifecycle costs for water utilities.

Key product areas include:

-  Submersible pumps
-  Surface pumps
-  Sewage pumps
-  Mixers, flowmakers & recirculation pumps
-  Pumping stations
-  Monitoring & controls
-  Dosing & disinfection
-  Aeration equipment

Our products are the result of decades of engineering expertise. Supported by a worldwide service network.

**Yeomans Chicago Corporation – A Grundfos Company**  
3905 Enterprise Court – P.O. Box 6620 Aurora IL 60598-0620  
PH 630-236-5500 FX 630-236-5511

[www.yccpump.com](http://www.yccpump.com)

The name Grundfos, the Grundfos logo, and the payoff Be–Think–Innovate are registered trademarks owned by Grundfos Management A/S or Grundfos A/S, Denmark. All rights reserved worldwide.

**GRUNDFOS** 