

PM Rain



Fig. 1 PM Rain

Product description

The Grundfos PM Rain is an interconnect device that allows you to utilise harvested rainwater for toilet, laundry and garden applications, with the added benefit of mains water back-up.

The PM Rain is used together with a Grundfos pump. The pump is only started when rainwater is being drawn from the rainwater collecting tank. It does not operate when switched to mains water supply.

The PM Rain automatically starts when a water demand is detected, for example the flushing of a toilet or filling of a washing machine, and will switch over to mains water supply when the rainwater tank is empty or in case of an electrical failure.

The PM Rain eliminates the need for a level sensor in the tank, which drastically reduces installation time and costs.

Applications

Typical applications are rainwater supply systems in

- single-family houses
- summer houses and weekend cottages
- horticulture and gardening.

Installation

For external pump installation, we recommend PM Rain with JP pump. See fig. 2.

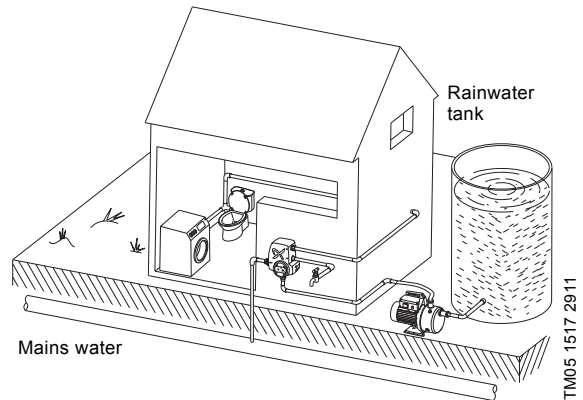


Fig. 2 PM Rain with JP pump

For submersible pump installation, we recommend PM Rain with SB pump. See fig. 3.

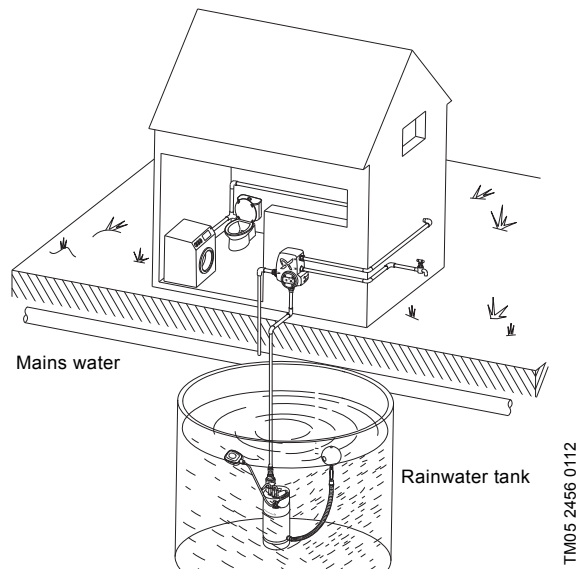
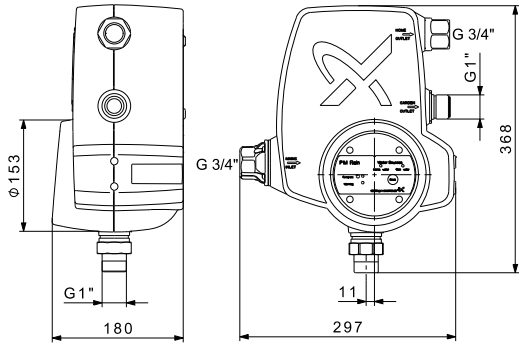


Fig. 3 PM Rain with SB pump

Features and benefits

- Easy and quick installation
- no regular maintenance required
- dual non-return valve for backflow prevention
- suitable for above- and below-ground tanks
- automatic distribution between rainwater and mains water.

Dimensions



TM05 1529 3211

Fig. 4 Dimensional sketch

Connections

Inlet/outlet	Material	Type and size
Mains water inlet	Brass	Female G 3/4
Rainwater inlet	Brass	Male G 1
Home outlet	Brass	Female G 3/4
Garden outlet	Plastic	Male G 1

Technical data

Data	230 V model
Supply voltage	1 x 220-240 VAC
Maximum inductive contact load	10 A
Frequency	50/60 Hz
Maximum ambient temperature	0 to 55 °C
Liquid temperature	0 to 60 °C
P _{start}	2.5 to 6 bar (250 to 600 kPa)
P _{stop}	P _{start} + 1 bar (100 kPa)
Q _{min}	1.0 litre/min.
Time delay during stopping	10 seconds
Enclosure class	IP65

Selection guide

Type of house	Outlets	External pump	Submersible pump
		JP pump	SB pump
Single-storey house	1 x toilet, laundry and outside tap	JP Rain 2	SB 3-35
	2 x toilet, laundry and outside tap	JP Rain 2	SB 3-35
	3 x toilet, laundry and outside tap	JP Rain 3	SB 3-45
	4 x toilet, laundry and outside tap	JP Rain 4	SB 3-45
Double-storey house	1 x toilet, laundry and outside tap	JP Rain 2	SB 3-45
	2 x toilet, laundry and outside tap	JP Rain 3	SB 3-45
	3 x toilet, laundry and outside tap	JP Rain 4	SB 3-45

98097087 0212

GB

ECM: 1104552

Pump options



TM05 2725 0412

Fig. 5 PM Rain JP and SB pump solutions

Type	Application
PM Rain without pump	-
PM Rain with JP pump	For external pump installation in above-ground tanks.
PM Rain with SB pump	For submersible installation in above- or below-ground tanks.

Subject to alterations.